



JACKSON

Custom Window Coverings

Suggested Retail Price List 2015

Update 1

General Information on Custom Products

Terms and Conditions

All taxes are extra(GST, PST, HST). Orders are F.O.B. nearest Jackson warehouse. Prices are subject to change without notice. Drop shipments are not normally allowed.

Shipping

Goods shall be shipped via Jackson's choice of carrier unless specified otherwise at the time of order. Shipments are on a pre-paid and charge basis.

Returns

These window coverings are custom made, returns cannot be accepted.

Cancellations

Neither changes nor cancellations are allowed on custom products once the order has been started. Dealers are encouraged to double check all information sent in.

Orders

All orders should be submitted in writing on the proper order form, and delivered by email, in person, regular mail or by fax. Jackson order forms are available at your local Jackson office, or can be downloaded from www.jackson.ca

Delivery Warranty

All regular orders for standard window coverings shown in this book shall be shipped or made available for pick-up from the manufacturing plant of George N. Jackson Limited within 10 working days. If this delivery is not met, the dealer may notify Jackson's and Jackson's shall credit the dealer for an additional 10% of the net wholesale cost of the late order. This does not apply to special quotation orders, nor to clearouts, nor to orders held for credit purposes. Dealers account must be current in order for claims to be processed. All claims must be made within 60 days of the receipt of goods. These warranties do not cover claims for incidental or consequential damages.

Pricing

All prices shown in this book are suggested retail. Dealers are free to determine their own selling prices without restriction. Prices subject to change without notice.

Quotation Requirements

Dealers may request special quotations on all standard window coverings shown in this book for large orders. The minimum requirement for a special quotation is 10 blinds in the same pattern(with a maximum of 2 colours) and must be for the same job. The second colour may be in a different pattern in the same product category, but the patterns will be quoted separately.

Special Quotation orders are excluded from the Delivery Warranty. More information is available by contacting the nearest Jackson Office and distribution centre.


General Information


Dealers wishing to learn more should contact their nearest **Jackson** office. Please refer to the back cover of this price book for additional information along with the addresses and phone numbers where additional information may be obtained.

Please refer to other **Jackson** catalogues and price books for more products including Draperies, Upholstery Fabrics, Supplies, Sunstopper™ Awnings and **Jackson** Drapery Hardware.

F/R Information

On all items marked F/R, please refer to specific flammability information. The information in these specifications refers to typical performance in the test indicated under laboratory conditions. None of this information warrants performance or guarantees results under actual use conditions. The information is accurate to the best of our knowledge at the time of printing but is not intended to relieve the user from its responsibility to comply with all procedures applicable to the safe use of this product.





WARNING

Young children can STRANGLE in cord and bead chain loops. They can also wrap cords around their necks and STRANGLE.

- Always keep cords and bead chains out of children's reach.
- Move cribs, playpens, and other furniture away from cords and bead chains. Children can climb furniture to get to cords.
- Do not tie cords together. Make sure cords do not twist together and create a loop.
- Attach tension device to wall or floor. This can prevent children from pulling cords and bead chains around their necks.

For more safety information: 1-866-662-0666

For more information on the safe use of corded window covering products, visit the health Canada website at www.healthcanada.gc.ca/blindcords or call their toll free number at **1-866-662-0666**.

Warranties

These warranties do not cover defects which result from misuse of the products.
These warranties do not cover claims for incidental nor for consequential damages.
These warranties do not cover transportation nor for installation charges.
All repairs covered by warranty are to be done at a Jackson Facility, with same or like parts.

Warranties apply to residential dwellings only.

Horizontal Blinds

Jackson horizontal blinds are warranted to be free of manufacturing defects under normal use conditions for five (5) years from the date of purchase. During this time, Jackson will repair or replace without charge any part of the horizontal blind which is defective in materials or workmanship. This warranty does not cover soiling or scratching from use.

Parkland Faux Wood Blinds

The headrails of Jackson Parkland blinds are warranted to be free of manufacturing defects under normal use conditions for five (5) years from the date of purchase. The slats are warranted to be free of manufacturing defects under normal use conditions for five (5) years from the date of purchase. During this time, Jackson will repair or replace any parts which are defective in materials or workmanship. This warranty does not cover soiling or scratching from use.

Pleated Shades

Jackson pleated shades are warranted to be free of manufacturing defects under normal use conditions for one (3) years from the date of purchase. During this time, Jackson will repair or replace without charge any part of the pleated shade which is defective in materials or workmanship. This warranty does not cover soiling or fading from use.

Cellular Shades

Jackson Cellular shades are warranted to be free of manufacturing defects under normal use conditions for three (3) years from the date of purchase. During this time, Jackson will repair or replace without charge any part of the shade which is defective in materials or workmanship. This warranty does not cover soiling or fading from use.

Roller Blinds

Jackson chain driven roller blinds are warranted to be free of manufacturing defects under normal use conditions for three (3) years from the date of purchase. During this time, Jackson will repair or replace without charge any part of the blind which is defective in materials or workmanship. This warranty does not cover curling, soiling, scratching or fading from use.

Vertical Blinds

The headrails of all Jackson vertical blinds are warranted to be free of manufacturing defects under normal use conditions for five (5) years from the date of purchase. During this time, Jackson will repair or replace without charge any part of the headrail which is defective in materials or workmanship.

The vanes of all Jackson vertical blinds are warranted to be free of manufacturing defects under normal use conditions for three (3) years from the date of purchase. During this time, Jackson will repair or replace without charge any louvers or louver parts which are defective in materials or workmanship.

This warranty does not cover curling, soiling, scratching or fading from use.

PrivacySheer™ & Mystic Sheer™

The headrails of all Jackson PrivacySheer™ and Mystic Sheer™ Draperies are warranted to be free of manufacturing defects under normal use conditions for five (5) years from the date of purchase. During this time, Jackson will repair or replace without charge any part of the headrail which is defective in materials or workmanship.

The louvers and fabric of all Jackson PrivacySheer™ and Mystic Sheer™ Draperies are warranted to be free of manufacturing defects under normal use conditions for three (3) years from the date of purchase. During this time, Jackson will repair or replace without charge any louvers or louver parts which are defective in materials or workmanship.

This warranty does not cover curling, soiling, scratching or fading from use.

George N. Jackson Limited produces window covering products for sale and use in **Canada**. Bilingual safety labels (English and French) are attached to the products that we produce. Exporters should check on product and labelling requirements for countries that they export to.

1" Aluminum Horizontals

HEADRAIL CHANNEL

1 inch high by 1 inch deep "U" shaped channel, of 0.024 inch thick phosphate treated steel with rolled edges at top. Coated with vinyl primer and polyester baked enamel finish coat. Operating hardware shall be locked into head channel with no mechanical cleats visible from underside of headrail.

BOTTOMRAIL

The bottom channel shall be 0.024 inches thick treated electro-zinc coated steel. It shall be painted with vinyl primer and polyester baked enamel finish coat. Bottomrail shall be formed after coating. Molded endcaps shall fit snugly into ends of bottomrail. Molded plastic cord buttons shall secure braided ladder to bottomrail. Endcaps and buttons shall be either clear or colour co-ordinated to the rail colour.

SLATS

Slats shall be virgin aluminum alloyed for maximum strength, flexibility, and resistance to external and internal corrosion. Slats shall be nominally 1 inch. A properly formed contour creates the finished crown with corner radii of 3/16 inch tangent edge of slat. Slat thickness and ladder support distances shall reduce sag and bow even after continued use in an indoor environment. Slats shall be nominally 0.006 inches thick to allow the most efficient crown height while reducing the overall weight of the the blind.

ADDITIONAL SLAT SPECIFICATIONS:

1. Slats shall be pre-treated for corrosion resistance and paint adhesion.
2. Slats are reverse roll coated with polyester paint and baked on at 450° F. with a total coating thickness of 1.0 mil.
3. Colours are matched with a computerized colour matching system.
4. Finished slats will withstand 20% Salt spray solution and 35° C for 300 hours without peeling, blistering, or chalking.
5. 100 MEK rubs
6. 2 T Bend
7. H.B. Hardness
8. Coil Marr
9. Formability

TILT ROD SUPPORT

The tilt rod shall be supported by a low friction thermoplastic support. The support shall guide the ladders and lift cords through the bottom of the headrail without abnormal abrasion or discolouration.

LADDER DRUM

The ladder drum shall be of high impact plastic with two smooth edged holes through which braided ladder ends are passed.

CORD LOCK

The cord lock shall be of snap-in design with stainless steel wear guard and floating pin. The cord lock shall be "crash proof" that shall lock blind upon release of cord.

SHAFT TYPE TILTER

Tilter shall be a snap in component.

TILT WAND

The tilt wand shall be a clear plastic rod. This wand shall be attached to the tilter shaft with a spring clip.

TILT ROD

The tilt rod shall be electro-zinc coated solid steel, 0.155 inches square in cross section and shall provide instant tilting response.

BRAIDED LADDERS

The ladders shall be of braided polyester yarn which will provide maximum strength and flexibility with minimum stretch. Horizontal rungs shall contain no less that two threads. Rung spacing shall be 22.5 mm on regular economy blinds and 21.5 mm on E.F. Blinds.

BRAIDED LADDER CLIP

A plated metal clip shall be mechanically clinched to the end of each braided ladder.

LIFT CORD

The lift cord shall be braided with polyester jackets and rayon centre cores and shall be 1.4mm. The cords shall be securely anchored to the bottom rail using a clear or colour co-ordinated button. Lift cord shall be equipped with a tassel.

END SUPPORT BRACKET

The "End" bracket shall be treated steel with a vinyl primer and polyester baked enamel finish coat to co-ordinate with the headrail. These brackets shall incorporate a rivet hinged locking front cover. Intermediate support brackets shall be supplied for blinds over 48 inches wide. Maximum spacing between supports is 48".

END STIFFENERS

An electroplated steel end stiffener shall be inserted at each end of the headrail to add rigidity. The end stiffener shall have a field adjustable tab to reduce lateral movement.

PRODUCTION

All blinds to be produced in Canada by George N. Jackson Limited.



Young children can STRANGLE in cord and bead chain loops. They can also wrap cords around their necks and STRANGLE.

- Always keep cords and bead chains out of children's reach.
- Move cribs, playpens, and other furniture away from cords and bead chains. Children can climb furniture to get to cords.
- Do not tie cords together. Make sure cords do not twist together and create a loop.
- Attach tension device to wall or floor. This can prevent children from pulling cords and bead chains around their necks.

For more safety information: 1-866-662-0666

Horizontals

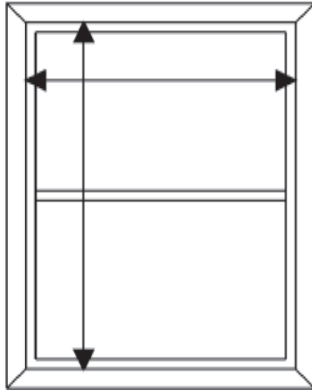
Measuring Instructions

Please submit the exact sizes: we will not make any deductions!

Tolerance on width is +/- 1/8".

Tolerance on length is -1/4", +1/2".

Jackson recommends that all window coverings be professionally measured and professionally installed.



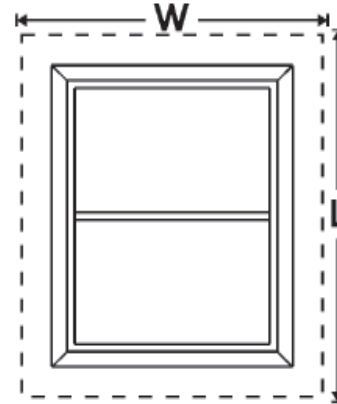
Inside Mount

Width

Measure the smallest inside width and subtract 3/8" for clearance.

Length

Measure the length of the window sill from the top of the opening to the bottom of the sill.



Outside Mount

We suggest a minimum of 1 1/2" overlap on each side.

Width

Supply the exact width for the blind after you have added for overlaps.

Length

Use the length from the top of the headrail to the bottom of the bottomrail after you have added for overlaps.

Extras

Striping

First extra colour	\$25.00 ea
Each additional colour	\$10.00 ea
Identical blinds as above	\$10.00 ea

Multiple blinds on one rail

Price as overall size plus:

2 on 1 Headrail	\$60.00 ea
3 on 1 Headrail	\$85.00 ea

Please note that there will be a 1/2" gap between each blind.

1" Horizontal Blind Styles/Ladder spacing

All individual orders for horizontal blinds are made with 21.5mm ladder spacing, ("E.F.") which stands for "Extra Full". The "E.F." blinds come complete with a 2 slat valance at no extra charge.

Large contract orders may be specified as "Econo" style with 22.5mm ladder spacing, and may be specified with or without valance, which is charged extra on "Econo" style blinds.

Care and Cleaning Instructions

Your blind is easily cleaned by extending it full length and closing the slats (not tightly). Wipe them with a soft brush or cloth, or clean them with your vacuum cleaner's brush attachment. Tilt them in the other direction and wipe clean the other side as well. It is also possible to have them professionally cleaned. Consult your telephone directory for a cleaning service in your area.

Horizontals

Horizontal Blind Order Form (Download from www.jackson.ca)

1" Horizontal Parkland

QTY	WIDTH	LENGTH	PATTERN & COLOUR	TILTER STYLE <i>Wand Cord</i>	TILTER SIDE <i>Right Left</i>	CORD SIDE <i>Right Left (drop len)</i>	BRKT <i>End* Proj</i>	TAPE <i>Colour</i>	Val <i>Yes* No</i>	END RETURN <i>Yes (size) No</i>	PRICE

* indicates standard option

Blind Type

Check off the correct blind type at the top of the page.

Qty

Fill in the number of identical blinds that are required.

Width

Fill in the exact width in inches that is required. This is the final width of the headrail. Round the fractions to the nearest 1/8".

Pattern

Fill in the pattern and colour name for the blinds. Include any other information regarding specialty blinds.

Tilter Style

Please specify tilter preference based on type of blind. 1" Horizontals only offer wand tilters. The 2" Parkland blinds have a wand or a cord option.

Tilter Side

Please specify right or left.

Cord

Fill in the side on which the cord is requested. Please refer to width limitations. You may also specify the drop length.

Brackets

Fill in the type of brackets that you require for this horizontal blind. Use "E" for end or "P" for projection.

Tape

This is only a 2" option. Fill in "Y" for yes along with the tape colour chosen from the tape sample, or "N" for no.

Valance

Fill in "Y" for yes, "N" for no. Valance is included in the price for all standard (non-contract) orders. On Contract orders of Economy style 1" horizontals, the valance is an add-on with a charge.

End Return (E/R)

Fill in Yes or No, and the size of the return required.





WARNING

Young children can STRANGLE in cord and bead chain loops. They can also wrap cords around their necks and STRANGLE.

- Always keep cords and bead chains out of children's reach.
- Move cribs, playpens, and other furniture away from cords and bead chains. Children can climb furniture to get to cords.
- Do not tie cords together. Make sure cords do not twist together and create a loop.
- Attach tension device to wall or floor. This can prevent children from pulling cords and bead chains around their necks.

For more safety information: 1-866-662-0666

Cord Drops

Horizontal blinds were previously made with cord lengths at 2/3 of the shade length. In order to reduce the risks associated with cords, this will be reduced to a standard 1/4 of the shade length if not otherwise specified. Cords can be made as short as 3" when specified on the order. Longer cords for blinds mounted high up are available, no extra charge when specified on the order. Custom cord drop lengths can be written in under "SPECIAL".

Horizontals

Jackson Horizontals Slat Count Chart

Use this chart to determine the approximate number of slats for striping purposes. The actual number of slats may vary slightly depending on actual size. There also may be extra slats piled on the bottom rail.

DROP INCH	1" EF Slat Count
10	10
11	12
12	13
13	14
14	15
15	16
16	17
17	19
18	20
19	21
20	22
21	23
22	25
23	26
24	27
25	28
26	29
27	30
28	32
29	33
30	34
31	35
32	36
33	38
34	39
35	40
36	41
37	42
38	43
39	45
40	46
41	47
42	48
43	49
44	51
45	52
46	53
47	54
48	55
49	56

DROP INCH	1" EF Slat Count
50	58
51	59
52	60
53	61
54	62
55	64
56	65
57	66
58	67
59	68
60	69
61	71
62	72
63	73
64	74
65	75
66	77
67	78
68	79
69	80
70	81
71	82
72	84
73	85
74	86
75	87
76	88
77	90
78	91
79	92
80	93
81	94
82	95
83	97
84	98
85	99
86	100
87	101
88	103
89	104

DROP INCH	1" EF Slat Count
90	105
91	106
92	107
93	108
94	110
95	111
96	112
97	113
98	114
99	116
100	117
101	118
102	119
103	120
104	121
105	123
106	124
107	125
108	126
109	127
110	129
111	130
112	131
113	132
114	133
115	134
116	136
117	137
118	138
119	139
120	140

General Information

Aluminum Horizontals

Parkland Faux Wood Blinds

Pleated Shades

Cellular Shades

Roller Blinds

Vertical Blinds

PrivacySheer™

Horizontals--1" E.F.

Jackson Horizontals--Colour Coordination Chart

Please Note: Cord & ladder buttons are clear, end caps are colour coordinated.

#	Colour	Rail	Cord	Cap	Grp
011	BEIGE	011	103	011	1
026	SMOKEY GREY	026	026	026	1
031	FAWN	031	031	031	1
044	GRANITE	069	103	069	1
112	ALABASTER	112	112	112	1
121	BRUSHED ALUM	034	026	026	1
205	WHITE SATIN	205	005	005	1
1244	SLATE	399	026	026	1
1305	ST. TROPEZ	1130	031	1305	1

LIMITED AVAILABILITY COLOURS

Many of these have several years' inventory on hand and will continue to be available on a special order basis for larger orders of 1500 sq ft (approx 100 blinds). Please call for details. Special order colours have extended delivery times.

#	Colour	Rail	Cord	Cap	Grp
005	WHITE GLOSS	005	005	005	1
006	RAW UMBER	006	033	006	1
008	NOCTURNE BLUE	008	008	008	1
015	FEDERAL BLUE	017	017	017	1
017	GULF BLUE	017	017	017	1
018	PINK	018	018	018	1
033	PITCH BLACK	233	033	033	1
034	ALUMINUM	034	026	026	1
042	MATTE WHITE	112	112	112	1
048	PEACH*	048	018	018	1
057	MIDNIGHT BLUE	008	008	008	1
063	TROMBONE BRASS*	063	104	104	2
064	ALUMINUM TEXT	034	026	026	2
065	ALMOST WHT GLOSS	112	112	112	1
069	DOVE GREY	069	103	069	1
085	REAL RED*	085	025	025	1
086	CAMEL	104	104	104	1
087	FOREST SHADOW	087	087	087	1
089	TRUE BLUE	089	089	089	1
099	OLD ROSE*	099	099	099	1
100	VANILLA	100	112	100	1
103	TENDER TAUPE	011	103	011	1
104	BISQUIT	104	104	104	1
106	GARNET RED	106	106	106	1
123	MAUVE	123	123	123	1

135	ROSE DUST	018	123	018	1
144	SKY JEWEL	008	089	008	2
167	SANDIA	1130	018	1305	1
213	WHITE GOLD	104	104	104	1
233	BLACK SATIN	233	033	033	1
258	ROSE BEIGE	1130	018	1305	1
326	ALABASTER PEARL	112	112	112	2
327	FAWN PEARL	031	031	031	2
328	BEIGE PEARL	011	103	011	2
341	MIDNIGHT BLUE PRL	008	089	008	2
358	ALABASTER FROST	112	112	112	2
376	NAVAJO WHITE	112	112	112	1
382	MELON MIST*	1130	018	1305	1
386	SNOW CAP WHITE	205	005	005	1
388	ATLANTIC GREEN*	087	087	087	1
399	ROCK GREY*	399	026	026	1
405	GREY DAWN*	026	026	026	1
520	CEDAR GREEN*	087	087	087	1
521	BLUE DAWN*	017	017	017	1
653	BURGUNDY	653	106	106	1
724	ALMOND	112	112	112	1
771	MERCURY	034	026	026	1
778	ICE	1137	014	778	1
928	BISQUE GREEN	928	014	928	1
963	STUCCO	112	026	112	1
983	GRAY HAZE	026	026	026	1
1005	WHITE TEXTURE	205	005	005	1
1023	CANDLE	112	112	112	1
1061	LATTE	031	031	031	1
1130	ANGEL FOOD	1130	031	1305	1
1137	MISTY GREY	1137	026	778	1
1169	PEARL	112	112	112	1
1202	BLUSH WHITE	205	005	005	1
1224	AZELEA	018	018	018	1
1260	BARE BUFF	100	112	100	1
1413	HUNTER GREEN	1413	1413	1413	1
1673	ANTIQUÉ WHITE	112	112	112	1
1735	AMETHYST MIST	018	018	018	1
1797	CHINA WHITE	205	005	005	1

Remaining stock of all limited availability items may be sold from Group 1. If material needs to be brought in for a large contract order, then the quotation will need to be done for the correct colour group number.

Horizontals--1" E.F.

Features

Large colour selection.
Compact 1 x 1 headrail.
Deluxe Extruded 2 slat valance.

Choice of mounting brackets.
Hollow "Star" wand.

Minimum Widths

Under 5" Not Available
5" to 9" Tilt only (center tilter)
9 1/8" to 12" Left wand, right cord
12 1/8" & up Specify as usual

HZ 1	24	30	36	42	48	54	60	66	72	84	96	108	120	132	144
18	98	110	124	136	146	164	177	189	202	234	267	290	319	343	373
24	110	124	141	155	168	188	204	218	234	271	309	338	372	401	436
30	121	137	157	174	189	212	231	248	266	308	351	385	425	458	499
36	132	151	173	193	211	236	257	277	298	345	394	433	477	516	562
42	143	165	190	212	232	261	284	306	330	382	436	480	530	574	625
48	153	177	205	230	253	284	310	335	361	418	478	527	582	631	687
54	165	192	223	250	276	309	338	366	394	457	522	576	636	690	751
60	176	206	239	269	297	333	364	394	425	494	564	623	688	748	814
66	188	220	255	288	319	358	392	424	458	531	607	671	741	806	877
72	199	234	272	308	341	383	419	454	491	570	650	720	796	866	942
78	210	247	289	326	362	407	446	484	523	607	693	768	849	924	1005
84	221	261	305	345	384	431	473	513	555	644	735	815	901	982	1068
90	232	275	321	364	405	455	499	542	587	681	778	863	954	1039	1131
96	243	288	338	383	427	479	526	572	618	718	820	911	1007	1097	1194
102	258	305	357	406	452	507	556	604	654	759	866	962	1063	1159	1261
108	269	319	374	424	473	531	583	634	686	796	908	1009	1116	1216	1324
114	280	333	390	443	495	555	610	663	717	833	951	1057	1168	1274	1387
120	291	346	406	462	516	580	637	692	749	870	993	1104	1221	1332	1450

General Information

Aluminum Horizontals

Parkland Faux Wood Blinds

Pleated Shades

Cellular Shades

Roller Blinds

Vertical Blinds

PrivacySheer™

Faux Wood Blinds

General Information

Aluminum Horizontals

Parkland Faux Wood Blinds

Pleated Shades

Cellular Shades

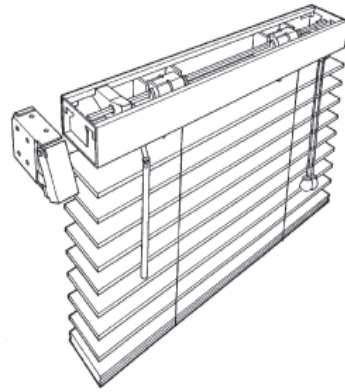
Roller Blinds

Vertical Blinds

PrivacySheer™

Features

The sturdy 2" high x 2 1/4" wide headrail features a special tilt rod support with lift cord rollers. These rollers allow for smoother lifting of the blinds (this feature not available with decorative tapes). Colour coordinated components include wands, valances and bottomrails.



Prices include the valance with mitered corners if end returns are required. The standard size is for end returns is 2 3/4", but size may be specified.

A special trapezoid bottom rail is standard on each blind.

A real wood wand, or optional cord tilter is offered for controls. The cord tilter is recommended for larger blinds (over 20 sqft.)

Wide decorative tapes in place of ladders are available on all 2" blinds.

Parkland - offers a unique flat 100% PVC slat. Colour coordinated components include a **Grande valance**, and bottomrail made of the same 100% PVC material as the slat, (trapezoid bottomrail).

Parkland Plus - offers a unique flat 100% PVC slat. Colour coordinated components include a **Grande valance**, and bottomrail made of the same 100% PVC material as the slat, (trapezoid bottomrail).

Care and Cleaning Instructions

Your blind is easily cleaned by extending it to the full length and closing the slats (not tightly). Wipe with a soft brush or cloth, or clean with your vacuum cleaner's brush attachment. Tilt in the other direction and wipe clean the other side as well. Parkland can also be wiped down with a wet cloth or very mild cleaner (non-abrasive).

Width Limitations

Under 7"	Not Available
7 1/8" to 12"	Tilt only (center tilter)
12 1/8" to 18"	Left wand, right cord
18 1/8" & up	Specify as usual

Multiple blinds on one rail

Price as overall size plus:

2 on 1 Headrail	60.00 ea
3 on 1 Headrail	85.00 ea

Please note that there will be a 1/2" gap between each blind.

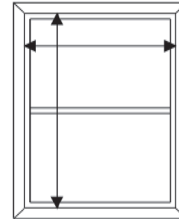
Measuring Instructions

Please submit the exact sizes: we will not make any deductions!

Tolerance on width is +/- 1/8".

Tolerance on length is -1/4", +1/2".

Jackson's recommends that all window coverings be professionally measured and professionally installed.



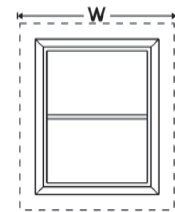
Inside Mount

Width

Measure the smallest inside width and subtract 1/2" for clearance.

Length

Measure the length of the window sill from the top of the opening to the bottom of the sill, and deduct 3/8" to allow for rotation of the bottom rail. The finished blind is measured in the open position.



Outside Mount

We suggest a minimum of 2" overlap on each side of the window to provide good coverage.

Width

Supply the exact width for the blind after you have added for overlaps.

Length

Use the length from the top of the headrail to the bottom of the bottomrail after you have added for overlaps.

Decorative Tapes

Wide twill tapes add a decorative elegance to faux wood blinds.

Surcharge of 15% on Parkland and Parkland Plus. The tape colours that are available are:

005 White	033 Black
136 Duck White	266 Mulberry
137 Lt. Beige	146 Red
011 Beige	142 Dark Green
353 Chocolate	139 Royal Blue

NOTE: some stretching in length may occur.

Parkland

Colours: 7001, 7002, 7003, 7004, 7011, 7012, 7013, 7014

	24	30	36	42	48	54	60	66	72	78	84	90	96	108	120
18	113	131	151	170	191	222	244	265	283	303	326	347	364	403	438
24	128	149	173	195	220	255	279	304	325	349	376	400	421	466	508
30	144	169	197	222	250	289	317	346	371	398	428	456	480	533	582
36	158	187	218	247	278	320	352	384	412	443	477	508	536	595	651
42	174	205	240	273	308	354	389	425	456	491	528	563	595	661	724
48	188	223	262	298	336	385	424	463	498	536	577	615	650	723	793
54	205	244	286	326	367	421	463	506	544	586	630	672	711	791	868
60	215	258	303	346	392	448	494	540	582	628	675	721	762	850	933
66	234	280	330	376	425	486	535	584	630	679	730	780	825	920	1010
72	249	298	351	401	453	517	570	622	671	724	779	832	880	982	1079
78	264	316	373	427	483	551	607	663	715	772	830	887			
84	278	334	394	452	510	582	641	701	757	817	879				
90	292	352	416	476	538	613	676	739	799	862					
96	307	370	438	502	568	647	713	780	843	910					
102	322	388	459	527	596	678	748	818	884						
108	337	407	482	553	626	712	785	859							
114	351	425	503	577	654	743	820								
120	366	443	526	604	683	777	857								

General Information

Aluminum Horizontals

Parkland Faux Wood Blinds

Pleated Shades

Parkland Plus

Colours: 7020, 7021, 7022, 7023, 7024, 7025

	24	30	36	42	48	54	60	66	72	78	84	90	96	108	120
18	122	141	162	182	204	237	259	282	300	322	346	367	386	427	464
24	138	160	186	209	234	271	297	323	345	370	398	423	445	493	538
30	155	181	211	238	267	308	337	368	394	423	454	484	510	565	618
36	170	200	233	264	297	341	374	408	438	471	506	539	568	631	690
42	186	220	257	292	329	377	414	452	485	522	561	598	632	702	769
48	202	239	280	318	358	410	451	492	529	570	613	653	690	768	842
54	220	261	306	348	392	448	493	538	579	623	670	715	756	841	923
60	231	276	324	370	418	478	526	574	619	667	717	766	810	903	992
66	251	300	352	402	454	517	569	622	670	723	777	829	878	978	1075
72	266	318	375	428	483	551	606	662	714	771	828	884	936	1044	1147
78	282	339	399	456	515	587	646	706	762	822	883	944			
84	298	357	421	482	545	620	683	746	806	870	935				
90	313	376	444	508	574	653	720	787	850	918					
96	329	396	468	536	606	689	760	831	897	969					
102	344	415	490	562	636	722	796	871	941						
108	360	435	515	590	668	758	836	915							
114	375	454	537	616	697	792	873								
120	392	474	561	644	729	828	913								

Cellular Shades

Roller Blinds

Vertical Blinds

PrivacySheer™

Sizes to the right of the dark line are recommended to be made as 2 blinds on 1 rail due to the very heavy weight. 2 on 1 and 3 on 1 surcharges apply. Parkland can be made as one blind up to 108" wide, but if ordered this way, they must have cord tilt only, and there is no warranty on tilting or lifting of the blinds. Valances greater than 108" in width will have to be made in 2 pieces with a join.

Pleated Shades

General Information

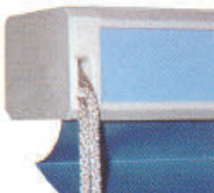
Standard Cord Lock

The standard cord lock system allows us to put pleated shade fabrics onto the very popular Cellular Shade headrail. This is a top quality rail made of extruded aluminum with a superb paint finish. A wide selection of rail colours allows colour co-ordination to the various fabrics available. This sleek headrail is 0.675" high x 1.5" deep. The bottom rail is colour matched to the headrail and is also 1.5" deep. The new 1 3/8" fabric pleats fit perfectly into the headrail system. The slim end caps are also colour co-ordinated. Their sleek design allows for full coverage (side to side) and a very minimal light gap.



Aluminum Horizontals

This headrail system comes with universal mounting brackets allowing for ceiling or wall installation. The easy to install brackets virtually disappear from view once the blind is installed. Minimum width is 8", maximum width is 144". Maximum length is 120".



Parkland Faux Wood Blinds

Clutch Option

The clutch operation headrail is available for your pleated shade, and indeed is recommended for all larger shades (more than 40 sqft in size). The rail is 1 3/4" deep by 1 1/4" high. There is a small surcharge for this option. This headrail system still comes with a colour co-ordinated slat inserted into the headrail. Minimum width is 18" for this system. Maximum width is 144". Maximum length is 120".

Pleated Shades

Stacking Heights (approx)

Stack height is measured from the top of the top rail to the bottom of the shade. All heights shown are approximate and will vary by fabric thickness.

For fabrics with lining, use the heavy fabric column.

Blind Length	Regular Fabrics	Heavy Fabrics
24"	2 1/4"	2 3/4"
36"	2 5/8"	3 3/8"
48"	3"	4"
60"	3 3/4"	4 5/8"
72"	4 1/8"	5 1/4"
84"	4 1/2"	5 7/8"
96"	4 7/8"	6 1/2"

Roller Blinds

Vertical Blinds

PrivacySheer™

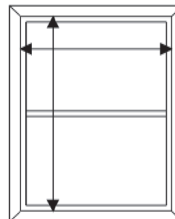
Measuring Information

Please submit the exact sizes: we will not make any deductions!

Tolerance on width is +/- 1/8".

Tolerance on length is minimum length ordered.

Jackson recommends that all window coverings be professionally measured and professionally installed.



Inside Mount

Width

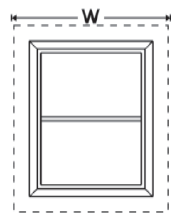
Measure the smallest inside width and subtract 1/4".

Length

Measure the length of the window sill from the top of the opening to the bottom of the sill.

Note:

The shade fabric will be 1/4" narrower than the rail width.



Outside Mount

We suggest a minimum of 2" overlap on each side of the window to provide good coverage.

Width

The exact width for the blind after you have added for overlaps.

Length

Use the length from the top of the headrail to the bottom of the shade after you have added for overlaps.

Care and Cleaning Instructions

Jackson Pleated Shades should require minimal care. It is important to dust the shades regularly to prevent buildup. Use a soft, clean cloth or a vacuum cleaner with a brush attachment. Pleated shade fabrics are delicate, therefore special care should be taken when cleaning.

Pleated Shades

Pleated Shade Order Form ([Download from www.jackson.ca](http://www.jackson.ca))

QTY	WIDTH	LENGTH	PATTERN & COLOUR	LINING No* Yes	RAIL Regular* Clutch Xcordless	CONTROL Right* Left (cord drop length)	MOUNT Regular Projection	SPECIAL Hold-down Bottom-up	PRICE

Qty

Fill in the number of identical blinds that are required.

Width

Fill in the exact width in inches that is required. This should be after deductions or additions have been made and is the exact rail width.

Length

Fill in the exact length in inches that is required. This is the final length from the top of the headrail to the bottom of the bottom rail.

Pattern & Colour

Fill in the pattern and colour name for the blind.

Lining

Fill in "Y" for yes or "N" for no for room darkening lining.

Rail

Fill in "R" for regular or "C" for clutch.

Control

Fill in the side that you want the control on. Use "R" for the right hand side or "L" for the left hand side. You may also specify the cord drop length.

Mount


Fill in "R" for the regular bracket mount or fill in "P" for the projection bracket mount.

Special

Fill in "H" for Hold-down brackets, or "BU" for bottom up shades (surcharge) Leave blank for standard shades.


Price


Optional, fill in the retail price.



Cord Drops

Pleated and Cellular shades were previously made with cord lengths at 2/3 of the shade length. In order to reduce the risks associated with cords, this will be reduced to a standard 1/4 of the shade length if not otherwise specified. Cords can be made as short as 3" when specified on the order. Longer cords for blinds mounted high up are available, no extra charge when specified on the order. Custom cord drop lengths can be written in under "SPECIAL".





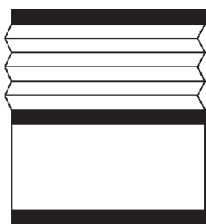
WARNING

Young children can STRANGLE in cord and bead chain loops. They can also wrap cords around their necks and STRANGLE.

- Always keep cords and bead chains out of children's reach.
- Move cribs, playpens, and other furniture away from cords and bead chains. Children can climb furniture to get to cords.
- Do not tie cords together. Make sure cords do not twist together and create a loop.
- Attach tension device to wall or floor. This can prevent children from pulling cords and bead chains around their necks.

For more safety information: 1-866-662-0666

Pleated Shades

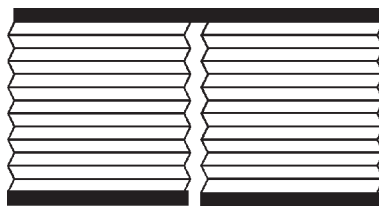


Tension Shade

This shade is designed to have both the top rail and the bottom rail fixed in place with standard brackets to keep the shade under constant tension. The middle rail slides by hand so that you can simply slide the rail to the desired position and it stays there. There is no cord lock nor clutch on this shade. This is designed for moving vehicles such as vans or boats. This is not designed for angled windows nor skylights. Maximum size is 48 x 72. Deduct 1/4" from length for tight inside mount.

Price from the price schedule:

Plus same add-on as for bottom-up shades.



2 on 1

This allows you to put 2 blinds on one headrail with separate cord lock or clutch operators. Standard rails are provided along with the colour insert to match bottom rail, and coloured bottom rails. Please specify the width of each separate section. There will be a 1/2" gap where two sections meet. (3-on-1 available only with cord lock, not with clutch)

Price each small shade section separately: No extra charge above this.

Please note, normally not recommended as this makes transportation and installation more difficult with little benefit.



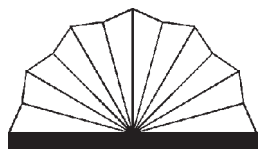
Bottom Up Shades (Cord Lock)

This shade operates with three rails. The fabric is attached to the bottom rail and to the middle rail. There are two cord locks, one on each side of the headrail. One cord lock controls the middle rail, and the other controls the bottom rail. The bottom rail may be fixed in place using a pair of hold-down brackets. There is no noticeable light gap.

Price from the price schedule:

Plus add-on "Bot-Up"

For bottom up shades combined with the cordless option, see XC-BU section



1/2 Circle Arch

This is the recommended method for arch shades. These can either be installed as an outside mount or custom cut by you on site to fit a tricky window. These shades are stationary (non operating). To order simply send us the width (diameter).

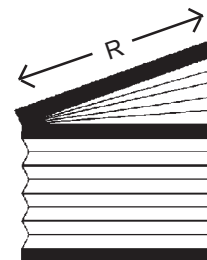
Price from the " Arch" section in the price schedule.



Template Arch

These can be ordered only when a perfect template is sent in along with the order. We reserve the right to refuse any template which is uneven. These shades are stationary (non operating). The height must be 1/2 of the width or less.

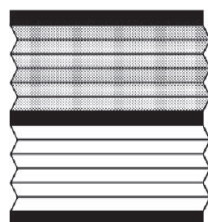
Price from the "Temp" section in the price schedule, using the diameter as the width.



Angle Top Shades

The top portion is stationary (non operating). The bottom portion operates via a cord lock. Use the "R" dimension as the width. The maximum width is the width of the fabric.

Price from price schedule: Plus **\$125.00**



Duo-fold Shade

This shade operates as two shades with two cord locks....one on each side. One cord lock controls the middle rail, the other the bottom rail. Both the top section and the bottom section are capable of spanning the entire length of the window. Price each of the two shades as full length and add together. Maximum width is the fabric width.

Price each section separately, there is no extra charge.

General Information

Aluminum Horizontals

Parkland Faux Wood Blinds

Pleated Shades

Cellular Shades

Roller Blinds

Vertical Blinds

PrivacySheer™

Pleated Shades

PATTERN	Seamless Width	Pleated Group	Lining & Seam
AMARI	72	2	Y
BLACKOUT LINER	72	2	Y
ESSENCE	72	1	Y
PALOMA	72	3	Y
ROWAN	72	2	Y

Please note that every attempt is made to co-ordinate the rail colour to the fabric colour. Due to the differences in materials used, an exact match isn't always possible. In the case of fabrics with multiple colours, there may be more than 1 option which is suitable. We have included the standard "Colour Co-ordination" chart which is used unless otherwise specified. If a different choice is preferred, we can supply an alternate choice at time of original order.

Plastic end caps co-ordinate with the rail colour for all cord lock shades and for most "cordless shades". These are indicated with "ok" in the cordless cap column. There are a few rail colours for **cordless shades** that do not have a corresponding plastic end cap colour for the headrail, and these are indicated with a different colour name in the chart. The vast majority of shades are inside mount where the endcap exposure on the headrail is very minimal. It could be an issue on outside mount shades. All bottom rail colours have a corresponding end cap.

Clutch headrail is white with a 1" aluminum insert, these are often matched to the bottom rail, but in some cases a match is not available. We have listed the colours that are closest. There is not a good match available for the colours marked **for clutch shades, please consider using a cordlock shade for these colours. For items marked * the best match is a slat colour being phased out. We will attempt to keep stock on hand, and anticipate being able to get more.

CORDLESS OPTION



We are pleased to offer a "cordless" option on pleated and cellular shades. There is no external operating pull cord, but there is an internal white coloured cord which is visible on pleated shades and on cordless bottom up shades. This high end system utilizes top quality springs and gears to control the shade length. Simply pull the bottom rail down to the desired length. Please note that the Maximum width is 84". A small handle may be attached to the bottom rail. This can be included on request at time of original order.

Pattern	Colour	Rail	Clutch Slat	Cordless Cap
Amari	0001	255	205	ok
Amari	0122	904	031	ivory
Amari	0171	356	1305	ok
Amari	0340	439	011	ok
Amari	0360	904	031	ivory
Essence	0001	255	205	ok
Essence	0019	255	205	ok
Essence	0025	334	**	ok
Essence	0026	439	011	ok
Essence	0043	439	011	ok
Essence	0104	086	086*	pongee
Essence	0184	439	011	ok
Essence	0286	086	086*	pongee
Essence	0617	103	103*	ok
Essence	0726	057	057*	silver
Paloma	7101	356	1305	ok
Paloma	7102	701	031	fawn
Paloma	7302	103	103*	ok
Paloma	7304	103	103*	ok
Paloma	7501	334	**	ok
Rowan	1804	255	205	ok
Rowan	1812	904	031	ivory
Rowan	1836	356	1305	ok
Rowan	1847	439	011	ok
Rowan	1858	334	**	ok

**colour not normally available in horizontals.
**no good match available for clutch rail.*



Cordless-BottomUp (XC-BU)

The top rail is stationary, while the middle rail and the bottom rail can be moved by hand. The heavy duty cord spools come pre-wound with white cords, so be aware that only white cords are available, and may be visible depending on shade position. A few pleats are attached to the top rail in order to reduce the light gap when the shade is raised from the bottom up (ie fully covering the window). Please note that this reduces but does not eliminate the light gap.

A small handle may be attached to both the middle and bottom rails. These can be included on request at time of original order at no extra charge.

Pleated Shades

ESSENCE

	PL1	24	30	36	42	48	54	60	72	84	96	108	120	144
General Information	24	154	171	191	208	226	243	263	298	333	368	405	440	512
	30	159	177	199	217	236	255	276	313	351	388	428	466	543
	36	166	186	209	229	250	270	293	334	375	416	459	500	584
Aluminum Horizontals	42	171	192	216	238	260	282	306	349	393	436	482	525	615
	48	177	201	227	250	274	297	323	370	416	463	513	559	655
	54	184	209	237	262	287	312	340	390	440	491	543	593	696
	60	191	218	247	274	301	328	357	411	464	518	574	628	737
	66	196	224	255	283	311	339	370	426	482	538	597	653	768
	72	203	233	265	295	325	354	387	446	506	566	628	687	809
Parkland Faux Wood Blinds	78	208	239	273	304	335	366	399	462	524	586	651	713	840
	84	215	248	283	316	349	381	417	482	548	613	681	747	880
	90	220	254	291	325	359	393	429	497	566	634	704	772	911
	96	227	263	301	337	372	408	446	518	589	661	735	807	952
	108	240	280	321	360	400	439	480	559	637	715	796	874	1033
	120	253	295	340	383	425	467	512	597	681	766	853	938	1110
Pleated Shades	ARCH	166	173	187	193	236	236	299						
	TEMP	251	267	290	305	357	366	438						
	CLUTCH	55	61	67	73	80	86	92	104	117	129	142	154	179
	BOT-UP	94	104	114	124	134	144	153	173	193	213	232	252	291
	CORDLESS	117	119	121	124	126	180	182	187	243				
	XC-BU	219	222	224	226	229	334	336	341	448				

AMARI, BLACKOUT LINER, ROWAN

	PL 2	24	30	36	42	48	54	60	72	84	96	108	120	144
Cellular Shades	24	160	179	201	221	241	260	282	322	361	401	442	482	563
	30	167	188	212	233	255	276	300	343	386	429	474	517	605
	36	176	200	226	250	274	298	324	371	419	467	516	564	662
Roller Blinds	42	183	209	237	262	288	313	341	392	444	495	548	599	704
	48	193	221	251	279	307	335	365	421	477	533	591	647	761
	54	202	232	265	295	326	356	388	449	510	570	633	694	817
	60	211	244	279	312	344	377	412	477	543	608	675	741	874
	66	219	253	290	324	359	393	430	498	567	636	707	776	916
	72	228	265	304	341	377	414	453	527	600	674	750	823	973
Vertical Blinds	78	235	274	314	353	391	430	471	548	625	702	781	859	1015
	84	244	285	329	369	410	451	494	576	658	740	824	906	1072
	90	252	294	339	382	424	467	512	597	683	768	856	941	1114
	96	261	306	353	398	443	488	536	626	716	806	898	988	1171
	108	280	329	381	431	481	531	583	682	781	881	982	1082	1283
	120	297	351	408	462	516	570	626	735	843	951	1061	1170	1388
PrivacySheer™	ARCH	186	196	216	223	281	281	365						
	TEMP	271	290	319	335	402	411	505						
	CLUTCH	55	61	67	73	80	86	92	104	117	129	142	154	179
	BOT-UP	94	104	114	124	134	144	153	173	193	213	232	252	291
	CORDLESS	117	119	121	124	126	180	182	187	243				
	XC-BU	219	222	224	226	229	334	336	341	448				

Pleated Shades

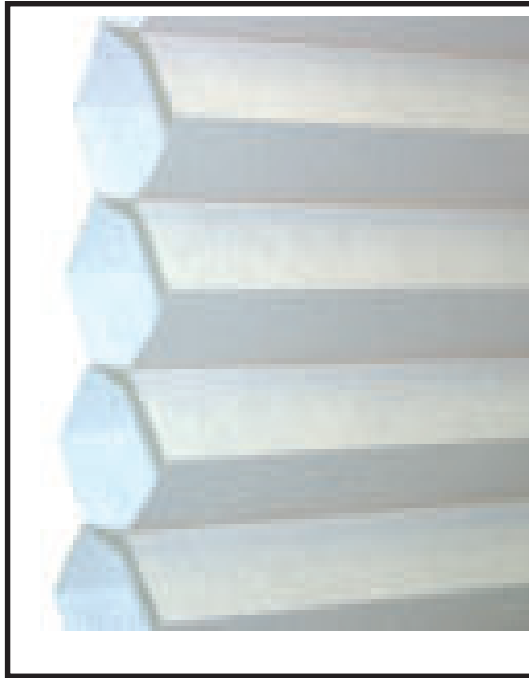
PALOMA

PL 3	24	30	36	42	48	54	60	72	84	96	108	120	144
24	167	188	212	233	255	276	300	343	385	428	473	516	604
30	175	198	224	248	271	295	321	368	415	462	511	558	654
36	186	212	241	267	294	320	348	401	454	506	561	614	721
42	194	223	254	282	310	339	369	426	483	540	599	656	771
48	206	237	270	301	333	364	397	460	522	584	649	711	838
54	217	251	287	321	355	389	425	493	561	629	699	767	905
60	228	265	304	340	377	414	453	527	600	674	749	823	972
66	236	275	316	355	394	433	474	552	629	707	787	865	1022
72	247	289	333	375	416	458	502	585	668	752	837	920	1089
78	256	299	346	389	433	477	523	610	698	785	875	962	1139
84	267	313	362	409	455	502	551	644	737	830	925	1018	1206
90	275	324	375	423	472	521	571	669	766	863	963	1060	1257
96	286	338	392	443	494	546	599	702	805	908	1013	1116	1323
108	309	366	425	482	539	596	655	769	883	996	1113	1227	1457
120	329	391	456	518	580	642	707	831	955	1079	1206	1330	1581
ARCH TEMP	198 283	210 303	233 336	242 354	309 430	309 439	406 545						
CLUTCH BOT-UP	55 94	61 104	67 114	73 124	80 134	86 144	92 153	104 173	117 193	129 213	142 232	154 252	179 291
CORDLESS XC-BU	117 219	119 222	121 224	124 226	126 229	180 334	182 336	187 341	243 448				

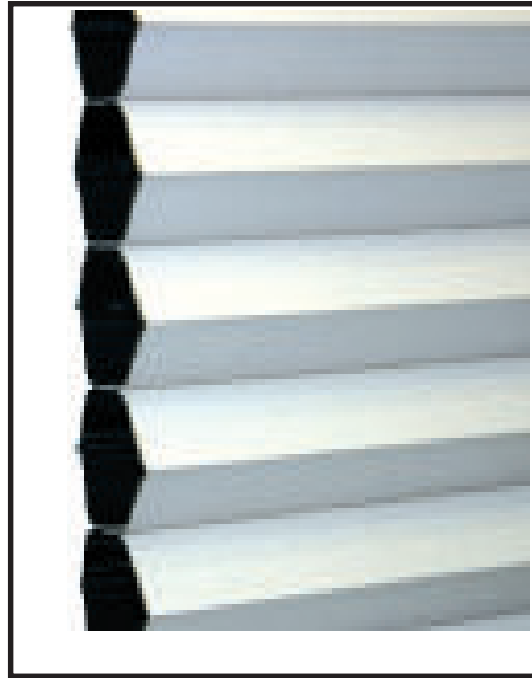
Room Darkening Lining - Add to price of shade

PL-A	24	30	36	42	48	54	60	72	84	96	108	120	144
24	50	58	69	78	86	95	106	123	140	157	176	194	230
30	56	66	79	89	99	109	121	141	162	182	204	224	267
36	64	76	91	103	115	127	142	166	190	215	241	266	316
42	70	84	100	114	127	141	157	185	212	239	269	296	353
48	79	94	112	128	144	160	178	209	241	272	306	337	403
54	87	105	125	143	160	178	198	234	269	305	343	379	452
60	95	115	137	157	177	197	219	259	298	338	380	420	501
66	101	123	146	168	189	211	234	277	320	363	408	451	538
72	110	133	159	182	206	229	255	302	349	396	445	492	588
78	116	141	168	193	218	243	270	320	370	420	472	522	625
84	124	151	180	207	234	261	291	345	399	453	509	564	674
90	130	159	190	218	247	275	306	363	421	478	537	594	711
96	138	169	202	233	263	294	327	388	449	511	574	636	760
108	155	189	226	261	296	331	368	437	507	576	648	717	859
120	170	209	249	288	326	365	406	483	560	637	717	794	950
ARCH TEMP	69 154	78 172	96 199	102 214	145 266	145 275	211 350						

Cellular Shades



Axiom



Dorme

This unique polyester fabric is soft, warm and consistent. It is superior to the crisp and papery fabrics that some other manufacturers provide. Single cell pleats are 9/16" and are permanently set in place.

The colours feature a white backing to provide uniform appearance from the exterior. The draw cord is colour co-ordinated to the shade colour and is made of polyester.

High wall thickness extruded aluminum headrail is .675" x 1.5" and is colour co-ordinated to the shade colour. Colour co-ordinated cord locks are flush to the headrail and operate side to side. This prevents them from interfering with valance treatments.

Mounting brackets are universal mount and they are virtually hidden from view. They are simple to install and don't interfere with any operating mechanisms

Plastic, colour coordinated headrail and bottom rail end caps fit snugly into the rails to smooth over any sharp edges.

This room darkening fabric contains an inner metalized layer which blocks the light. It is ideal for use in bedrooms. Single cell pleats are 9/16" and are permanently set in place.

The colours feature a white backing to provide uniform appearance from the exterior.

The operating system and headrail colour selection is the same as is used on "Axiom".

Dorme cellular shades are best when installed as an inside mount, or when installed under side panels, as these installations make the inner layer less visible than outside mounted blinds.

Suggested Cleaning Instructions

Cellular Shades are easy to keep looking fresh and new for years. Regular dusting with a feather duster is recommended. When necessary, fabric can be lightly vacuumed with a brush attachment.

If your shades become soiled with topical dirt (i.e. dirt that is resting on the surface of the fabric), we recommend that the shade be spot cleaned using a soft rag or sponge, a mild soap and warm water.

When it is necessary to clean the entire shade, the shade should be removed from the window and immersed in a tub filled with warm water and a mild soap. (Do not attempt this if your shade has been retrofitted with a motorized device, other specialty features.) Gently wash with a soft rag or sponge. Rinse the shade with clean water close the shade and tilt to allow excess water to drain. Re-install the shade, lower it and allow it to dry.

Due to the differences in ultrasonic cleaning operators, we cannot recommend this method of cleaning. **Using Ultrasonic cleaning or any other method other than stated above will void the warranty.**

General Information

Aluminum Horizontals

Parkland Faux Wood Blinds

Pleated Shades

Cellular Shades

Roller Blinds

Vertical Blinds

PrivacySheer™

Cellular Shades

Please note that every attempt is made to co-ordinate the rail colour to the fabric colour. Due to the differences in materials used, an exact match isn't always possible. In the case of fabrics with multiple colours, there may be more than 1 option which is suitable. We have included the standard "Colour Co-ordination" chart which is used unless otherwise specified. If a different choice is preferred, we can supply an alternate choice at time of original order.

Plastic end caps co-ordinate with the rail colour for all cord lock shades and for most "cordless shades". There are a few rail colours for **cordless shades** that do not have a corresponding plastic end cap colour for the headrail, and these are indicated with a different colour name in the chart. The vast majority of shades are inside mount where the endcap exposure on the headrail is very minimal. It could be an issue on outside mount shades. All bottom rail colours have a corresponding end cap.

Clutch headrail is white with a 1" aluminum insert, these are often matched to the bottom rail, but in some cases a match is not available. We have listed the colours that are closest. There is not a good match available for the colours marked **for clutch shades, please consider using a cordlock shade for these colours. For items marked * the best match is a slat colour being phased out. We will attempt to keep stock on hand, and anticipate being able to get more.

CORDLESS OPTION



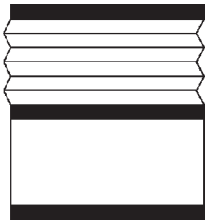
We are pleased to offer a "cordless" option on pleated and cellular shades. There is no external operating pull cord, but there is an internal white coloured cord which is visible on pleated shades and on cordless bottom up shades. This high end system utilizes top quality springs and gears to control the shade length. Simply pull the bottom rail down to the desired length. Please note that the Maximum width is 84". A small handle may be attached to the bottom rail. This can be included on request at time of original order.

Cordless-BottomUp (XC-BU)

The top rail is stationary, while the middle rail and the bottom rail can be moved by hand. The heavy duty cord spools come pre-wound with white cords, so be aware that only white cords are available, and may be visible depending on shade position. A few pleats are attached to the top rail in order to reduce the light gap when the shade is raised from the bottom up (ie fully covering the window). Please note that this reduces but does not eliminate the light gap. A small handle may be attached to both the middle and bottom rails. These can be included on request at time of original order at no extra charge.

Pattern	Colour	Rail	Clutch Slat	Cordless Cap
Axiom	1001	255	205	ok
Axiom	1002	356	1305	ok
Axiom	1003	904	031	Ivory
Axiom	1004	356	1305	ok
Axiom	1005	255	205	ok
Axiom	1006	701	031	ok
Axiom	1007	356	1305	ok
Axiom	1008	439	011	ok
Axiom	1009	086	086*	Pongee
Axiom	1010	108	**	Cocoa
Axiom	1011	108	**	Cocoa
Axiom	1012	103	103*	ok
Axiom	1013	904	031	Ivory
Axiom	1016	022	1224*	White
Axiom	1018	049	**	ok
Axiom	1020	812	**	Black
Axiom	1021	114	771*	ok
Axiom	1024	057	057*	Silver
Axiom	1025	233	233*	ok
Axiom	1026	574	**	Silver
Dorme	2001	255	205	ok
Dorme	2002	255	205	ok
Dorme	2003	904	031	Ivory
Dorme	2004	356	1305	ok
Dorme	2005	255	205	ok
Dorme	2006	701	031	ok
Dorme	2007	356	1305	ok
Dorme	2008	439	011	ok
Dorme	2009	701	031	ok
Dorme	2012	103	103*	ok
Dorme	2015	334	**	ok
Dorme	2017	049	**	ok
Dorme	2020	812	**	black
Dorme	2021	114	771*	ok
Dorme	2024	057	057*	Silver
Dorme	2025	233	233*	ok
Dorme	2028	394	**	Silver





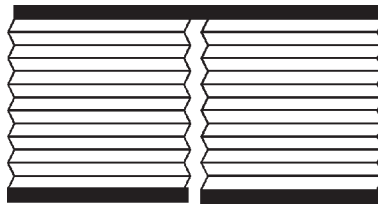
Tension Shade

This shade is designed to have both the top rail and the bottom rail fixed in place with standard brackets to keep the shade under constant tension. The middle rail slides by hand so that you can simply slide the rail to the desired position and it stays there. There is no cord lock nor clutch on this shade. This is designed for moving vehicles such as vans or boats. This is not designed for angled windows nor skylights. Maximum size is 48 x 72. Deduct 1/4" from length for tight inside mount.

Price from the price schedule:

Plus same add-on as for bottom-up shades.

Cellular Shades

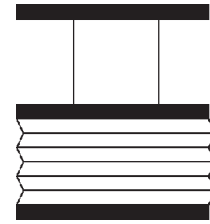


2 on 1

This allows you to put 2 blinds on one headrail with separate cord lock or clutch operators. Standard rails are provided along with coloured bottom rails. Please specify the width of each separate section. There will be a 1/2" gap where two sections meet. (3-on-1 available only with cord lock, not with clutch)

Price each small shade section separately: No extra charge above this.

Please note, this option is normally not recommended as this makes transportation and installation more difficult with little benefit.



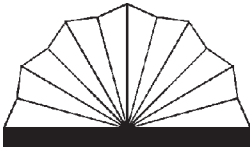
Bottom Up Shades (Cord Lock)

This shade operates with three rails. The fabric is attached to the bottom rail and to the middle rail. There are two cord locks, one on each side of the headrail. One cord lock controls the middle rail, and the other controls the bottom rail. The bottom rail may be fixed in place using a pair of holddown brackets. There is no noticeable light gap.

Price from the price schedule:

Plus add-on "Bot-Up"

For bottom up shades combined with the cordless option, see XC-BU section



1/2 Circle Arch

This is the recommended method for arch shades. These can either be installed as an outside mount or custom cut by you on site to fit a tricky window. These shades are stationary (non operating). To order simply send us the width (diameter).

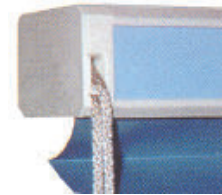
Price from the " Arch" section in the price schedule.



Template Arch

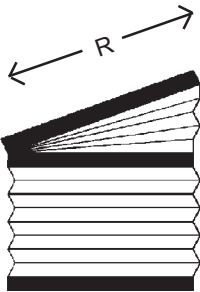
These can be ordered only when a perfect template is sent in along with the order. We reserve the right to refuse any template which is uneven. These shades are stationary (non operating). The height must be 1/2 of the width or less.

Price from the "Temp" section in the price schedule, using the diameter as the width.



Clutch Option

The clutch operation headrail is available for your pleated shade, and indeed is recommended for all larger shades (more than 40 sqft in size). The rail is 1 3/4" deep by 1 1/4" high. There is a small surcharge for this option. This headrail system still comes with a colour co-ordinated slat inserted into the headrail. Minimum width is 18" for this system. Maximum width is 144". Maximum length is 120".

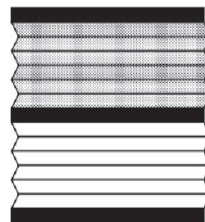


Angle Top Shades

The top portion is stationary (non operating). The bottom portion operates via a cord lock. Use the "R" dimension as the width. The maximum width is the width of the fabric.

Price from price schedule:

Plus 125.00



Duo-fold Shade

This shade operates as two shades with two cord locks....one on each side. One cord lock controls the middle rail, the other the bottom rail. Both the top section and the bottom section are capable of spanning the entire length of the window. Price each of the two shades as full length and add together. Maximum width is the fabric width.

Price each section separately; there is no extra charge.

Approximate Stacking Height

Blind Length	Stack Height
12-18"	2.375"
19-30"	2.75"
31-42"	3.125"
43-54"	3.375"
55-66"	3.75"
67-78"	4"
79-90"	4.375"
91-96"	4.625"

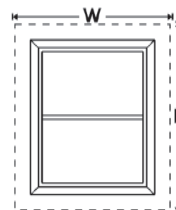
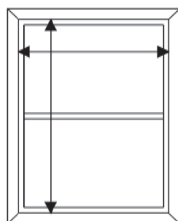
Cellular Shades

Measuring Information

Please submit the exact sizes: we will not make any deductions!

Tolerance on width is +/- 1/8". Tolerance on length is minimum length ordered.

Jackson recommends that all window coverings be professionally measured and professionally installed.



Inside Mount

Width

Measure the smallest inside width and subtract 1/4" for operating clearance.

Length

Measure the length of the window opening from the top to the bottom.

Note:

The shade fabric will be 1/4" narrower than the bottomrail width on all shades. The rail requires a window recess of 1 7/8" (front to back).

Outside Mount

We suggest a minimum of 1 1/2" overlap on each side of the window to provide good coverage.

Width

Supply the exact width for the blind after you have added for overlaps.

Length

Use the length from the top of the headrail to the bottom of the bottomrail after you have added for overlaps.

Cellular Shade Order Form ([Download from www.jackson.ca](http://www.jackson.ca))

QTY	WIDTH	LENGTH	PATTERN & COLOUR	RAIL	CTRL	MOUNT	SPECIAL	PRICE
				Regular* Clutch Xcordless	Right* Left (cord drop length)	Reg.* Proj.	Bottom-up Hold-down Brackets	

Qty

Fill in the number of identical blinds that are required.

Width

Fill in the exact width in inches that is required. This should be after deductions or additions have been made and is the exact rail width.

Length

Fill in the exact length in inches that is required. This is the final length from the top of the headrail to the bottom of the bottom rail.

Cord Drops

Pleated and Cellular shades were previously made with cord lengths at 2/3 of the shade length. In order to reduce the risks associated with cords, this will be reduced to a standard 1/4 of the shade length if not otherwise specified. Cords can be made as short as 3" when specified on the order. Longer cords for blinds mounted high up are available, no extra charge when specified on the order. Custom cord drop lengths can be written in under "SPECIAL".



WARNING

Young children can STRANGLE in cord and bead chain loops. They can also wrap cords around their necks and STRANGLE.

--- Always keep cords and bead chains out of children's reach.

--- Move cribs, playpens, and other furniture away from cords and bead chains. Children can climb furniture to get to cords.

--- Do not tie cords together. Make sure cords do not twist together and create a loop.

--- Attach tension device to wall or floor. This can prevent children from pulling cords and bead chains around their necks.

For more safety information: 1-866-662-0666

Cellular Shades

AXIOM	24	30	36	42	48	54	60	72	84	96	108	120	144
30	189	215	239	270	286	321	345	388	457	507	556	631	692
36	201	229	256	291	309	348	375	422	500	556	611	697	763
42	212	244	274	312	332	375	405	456	543	605	666	763	833
48	222	257	289	331	353	400	433	488	585	652	719	827	902
54	235	273	308	354	378	428	464	524	629	703	776	895	975
60	245	285	324	373	399	453	492	557	671	750	830	959	1043
66	258	301	343	396	423	482	523	592	715	801	887	1027	1116
72	269	316	360	417	446	509	553	627	758	850	942	1093	1186
78	281	330	378	437	469	535	583	661	801	899	997	1158	1257
84	292	345	395	458	492	562	612	695	844	948	1052	1224	1327
90	304	359	412	479	515	589	642	729	887	997	1107	1290	1398
96	317	375	431	502	540	617	674	765	932	1048	1164	1358	1470
ARCH	210	222	245	256	279	341	370	463	N/A	N/A	N/A	N/A	N/A
TEMPL	288	302	331	345	374	452	488	603	N/A	N/A	N/A	N/A	N/A
CLUTCH	55	61	67	73	80	86	92	104	117	129	142	154	179
BOT-UP	94	104	114	124	134	144	153	173	193	213	232	252	291
CORDLESS	117	119	121	124	126	180	182	187	243				
XC-BU	219	222	224	226	229	334	336	341	448				

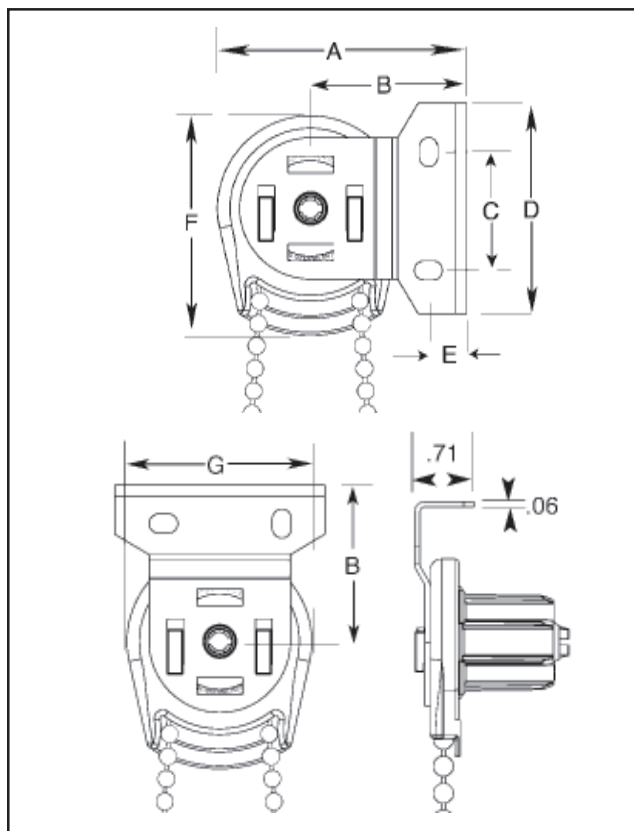
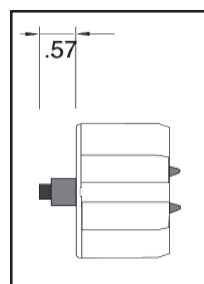
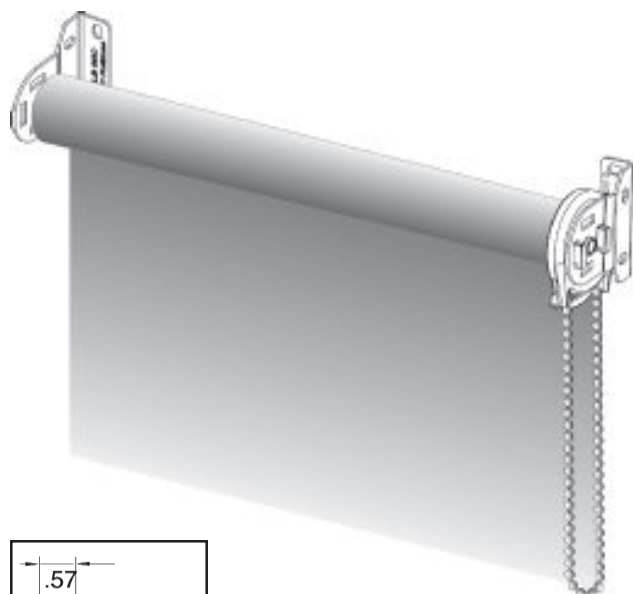
DORME	24	30	36	42	48	54	60	72	84	96	108	120	144
30	236	269	300	340	361	406	437	491	582	646	710	812	885
36	252	289	325	370	393	444	479	539	643	716	789	906	985
42	269	310	349	399	426	482	521	587	704	786	867	1000	1086
48	283	329	372	427	457	518	562	634	764	854	944	1092	1184
54	301	351	398	459	491	558	606	684	827	926	1024	1188	1286
60	316	369	421	487	522	594	646	731	886	994	1101	1281	1385
66	334	391	447	518	556	634	690	781	949	1065	1181	1376	1487
72	350	412	472	548	588	672	732	830	1010	1135	1260	1470	1588
78	366	432	496	578	621	710	774	878	1072	1205	1338	1565	1688
84	382	452	521	607	653	748	816	926	1133	1275	1417	1659	1788
90	399	473	545	637	686	786	859	975	1194	1345	1495	1753	1889
96	416	495	572	668	720	825	902	1025	1257	1416	1576	1848	1991
ARCH	267	283	316	332	364	449	490	617	N/A	N/A	N/A	N/A	N/A
TEMPL	359	379	420	440	481	586	637	797	N/A	N/A	N/A	N/A	N/A
CLUTCH	55	61	67	73	80	86	92	104	117	129	142	154	179
BOT-UP	94	104	114	124	134	144	153	173	193	213	232	252	291
CORDLESS	117	119	121	124	126	180	182	187	243				
XC-BU	219	222	224	226	229	334	336	341	448				

Roller Blinds

All Jackson Roller Blinds are made on a chain driven clutch operated system. This provides smooth operation of the blind along with the ability to stop the blind precisely at the desired place. This system also helps keep the blind cleaner as there is no longer a need to touch the fabric with your hands!

The control chain is a qualified #10 plastic chain in either white or black to match the clutch. It is normally supplied at 12" less than the exact drop of the blind in order to ensure that the blind can be made to cover the entire window. The chain comes with a connector and a stop ball which prevent the blind from being over extended or rolled up too far.

Please note that due to the nature of roller blinds, the material may tend to curl along the edges; this is considered normal.



Clutch	Bracket	Dimensions in Inches						
		A	B	C	D	E	F	G
10 LB	1 1/2"	2.60	1.60	1.25	2.20	0.34	2.30	1.94
10 LB	2" Projection	3.14	2.14	1.25	2.20	0.42	2.30	1.94
20 LB	1 1/2"	2.98	1.60	1.25	2.20	0.34	3.06	2.67
20 LB	2" Projection	3.52	2.14	1.25	2.20	0.42	3.06	2.67



Clutch Options

We offer the "Skyline" series which features a spring loaded pin end for faster installation, and larger capacity clutches. Choose your clutch colour. We will ship the same colour of components for the chain. There is no difference in the price.

Control Chain

Plastic chain is the standard, available in black or white and it is co-ordinated to the headrail colour.

Metal chain is also available at retail \$15.00 per blind.



Safety Device

We are committed to providing excellent product lines which meet the current safety standards. We've been automatically including cord safety devices with all roller blind orders for over a decade.

We offer a clear device which complies with section 6.5 of the safety standard and is much smaller, better looking, easier to install, and it simply works better than previous items. It can be mounted inside the window frame, outside the window frame or on the window sill.

Roller Blinds

Standard Clutch Chart

This chart shows the normal size of the clutch, some variations may be made due to variance in material weight.

SL 10 Clutch (10 lb) tube size is either 1 1/8" or 1 1/4". SL20 (20 lb) tube size = 1 1/2" SL22 tube size = 2"

CLUTCH SIZE

	25	31	37	43	49	55	64	73	79	85	97	118	144
28	SL-10	SL-10	SL-10	SL-10	SL-10	SL-10	SL-10	SL-10	SL-10	SL-10	SL-20	SL-22	SL-22
34	SL-10	SL-10	SL-10	SL-10	SL-10	SL-10	SL-10	SL-10	SL-10	SL-10	SL-20	SL-22	SL-22
44	SL-10	SL-10	SL-10	SL-10	SL-10	SL-10	SL-10	SL-10	SL-10	SL-10	SL-20	SL-22	SL-22
54	SL-10	SL-10	SL-10	SL-10	SL-10	SL-10	SL-10	SL-10	SL-10	SL-10	SL-20	SL-22	SL-22
64	SL-10	SL-10	SL-10	SL-10	SL-10	SL-10	SL-10	SL-10	SL-10	SL-10	SL-20	SL-22	SL-22
74	SL-10	SL-10	SL-10	SL-10	SL-10	SL-10	SL-10	SL-10	SL-10	SL-10	SL-20	SL-22	SL-22
84	SL-10	SL-10	SL-10	SL-10	SL-10	SL-10	SL-10	SL-10	SL-10	SL-10	SL-20	SL-22	SL-22
94	SL-10	SL-10	SL-10	SL-10	SL-10	SL-10	SL-10	SL-10	SL-10	SL-10	SL-20	SL-22	SL-22
104	SL-10	SL-10	SL-10	SL-10	SL-10	SL-10	SL-10	SL-10	SL-20	SL-20	SL-20	SL-22	SL-22
114	SL-10	SL-10	SL-10	SL-10	SL-10	SL-10	SL-10	SL-20	SL-20	SL-20	SL-20	SL-22	SL-22
124	SL-10	SL-10	SL-10	SL-10	SL-10	SL-20	SL-20	SL-20	SL-20	SL-20	SL-20	SL-22	SL-22
134	SL-10	SL-10	SL-20	SL-20	SL-20	SL-20	SL-20	SL-20	SL-20	SL-20	SL-20	SL-22	SL-22

Assembled Roller Only Pricing, complete with brackets.

	25	31	37	43	49	55	64	73	79	85	97	120	144
SL10	48	51	53	56	59	61	65	69	72	74			
SL20	67	70	73	77	80	83	88	93	96	100	106		
SL22	75	79	82	86	89	93	99	105	108	112	119	157	186

Manual Lift Assistance

P.E.S.A.

This stands for "Pin End Spring Assist". This is a special spring which replaces the pin end in a roller tube. This spring winds when the blind is lowered, and transfers that stored up energy back to the help raise blind, which reduces the lift weight.

Minimum width is 24" and the maximum width is 97". This is available with cassettes or fascia, but can not be used with the 2-on-1 option.

Add **\$50.00** per blind

Spring Assist (Clutch End)

This is a more complex spring assist system, which delivers even greater lifting power. This larger spring is attached to the SL-20 clutch and pre-wound for superior lift strength.

Minimum width is 59" (36" spring) and the maximum width is 120". This is available with cassettes or fascia.

Add **\$185.00** per blind

Galaxy Clutch (G400)

This is a gear ratio clutch which can be used on 1 1/2" or 2" tube. The clutch features a "planetary gear" which helps to reduce the pull requirements of raising larger shades. This system requires extra chain to be pulled through the clutch, so no "stops" or "connectors" can be used on the chain. Continuous loop metal chain is included in the price. Can be used on blinds up to 144" wide.

The clutch is quite large (3 5/8" wide) and so this can **not** be used with any cassette options. It can be used as a single blind with a 5" fascia or the "vertical style" of valance. On its own, it requires Projection Brackets.

Add **\$95.00** per blind

Galaxy Clutch (G400) + Spring Assist

This is the ultimate in lifting power for a manual system. It combines the Galaxy 400 with a larger clutch end spring, best suited for the largest of blinds. Minimum width is 65" (45" spring), Maximum width is 144".

Add **\$325.00** per blind

General Information

Aluminum Horizontals

Parkland Faux Wood Blinds

Pleated Shades

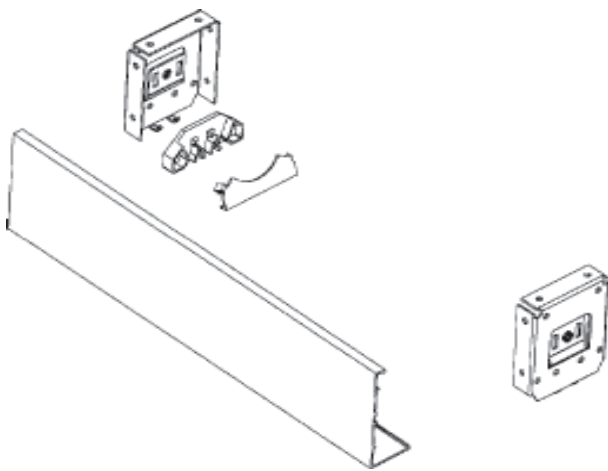
Cellular Shades

Roller Blinds

Vertical Blinds

PrivacySheer™

Roller Blinds Fascia

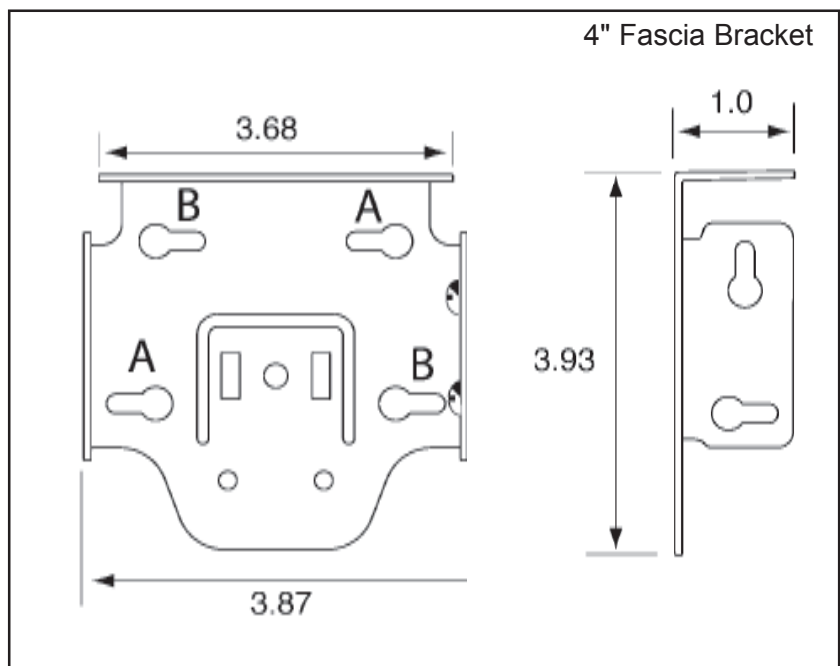
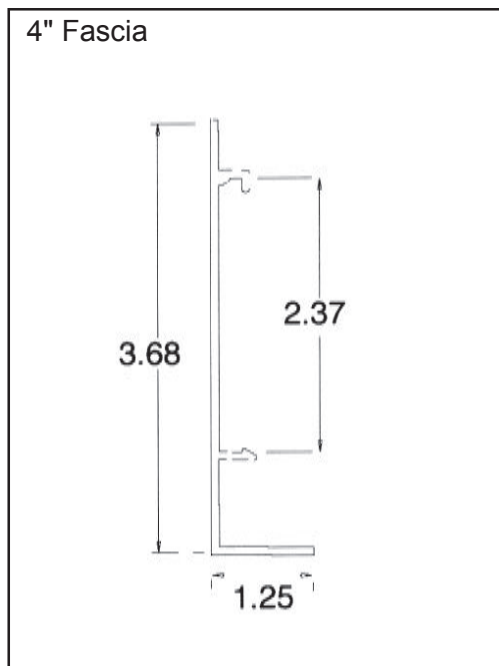
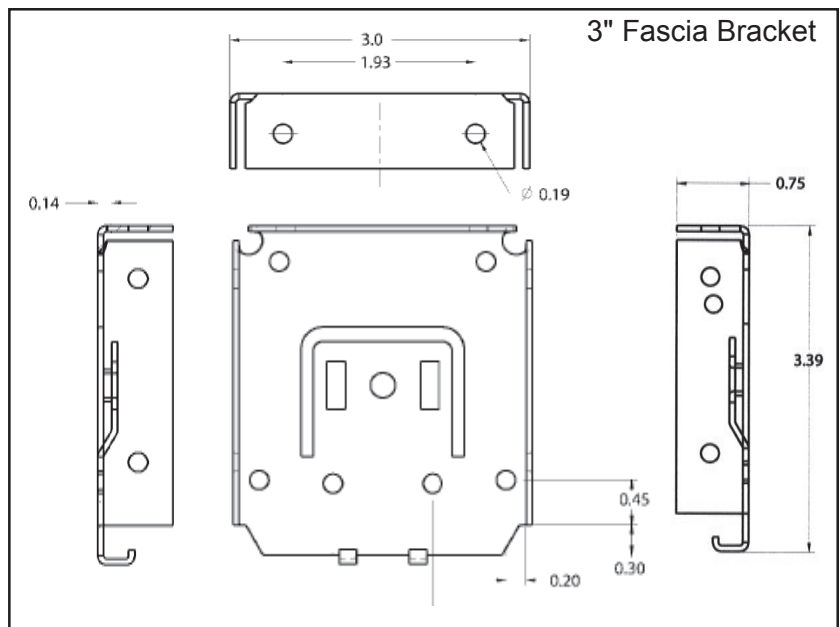
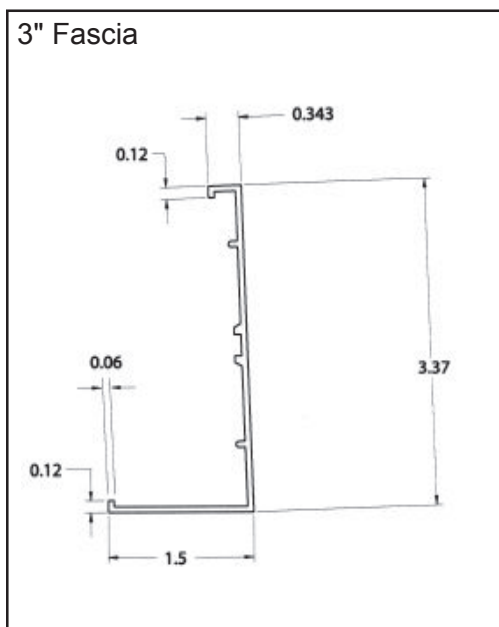


Roller Blind Fascia Valance

Jacksons is pleased to offer the Roller Blind Fascia system in each of a 3", 4", or 5" version. This is a metal valance designed to conceal the front of the roller. The 3" and 4" fascia valance is available in white, ivory, anodized, bronze, and **black**. Longer lengths require the 4" version. These colours correspond to the colours offered in the optional bottom bar program. The 5" fascia is available in anodized, bronze, and white.

Chain Diverter

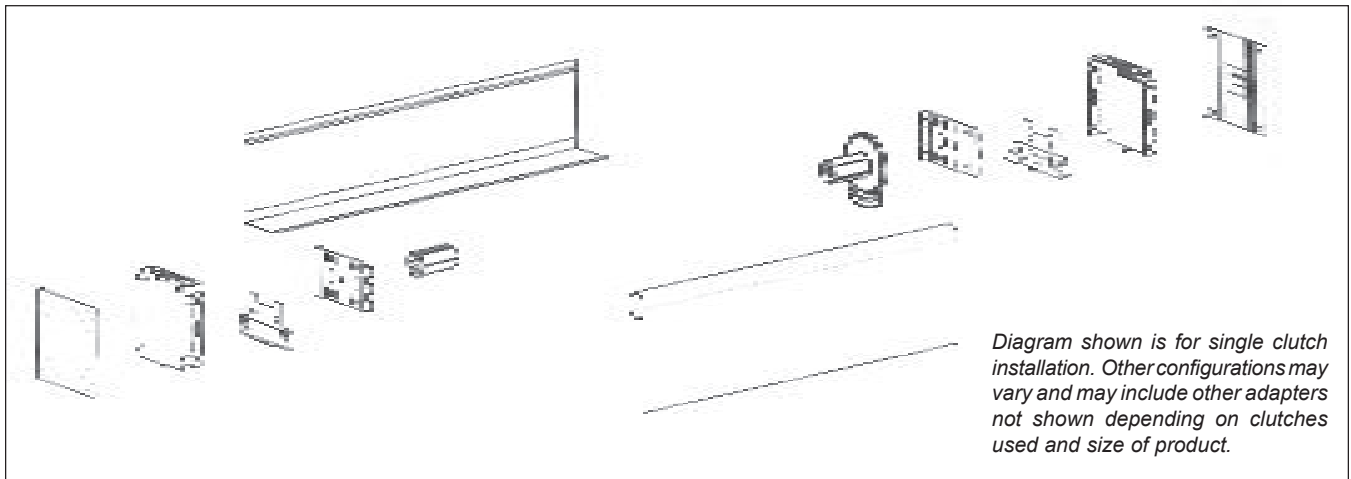
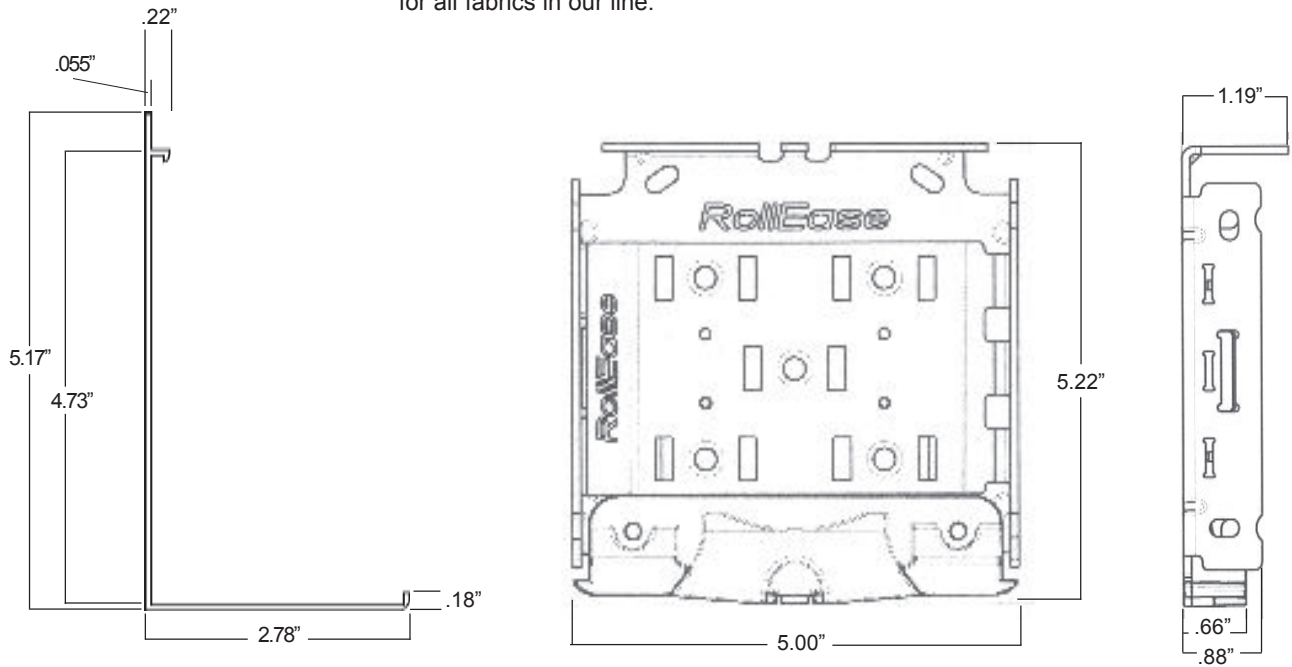
The Fascia for the Skyline system features a unique chain diverter for the 3" fascia which has eliminated the need for cut-outs from the bottom edge of the fascia. The chain diverter is not required on the 4" fascia, which is also free of cutouts.



5" Fascia

Roller Blind 5" Fascia Valance

The 5" fascia is available in anodized, bronze, and white. It is the best option for very large shades, and it is the only fascia option that can be used with the "Sonesse 50" motors. It is also the only fascia option that can be used with the new "Galaxy" clutch in single format. A single shade under this fascia can easily accommodate drops of 134" for all fabrics in our line.



5" Fascia Valance for Double Layered Shade

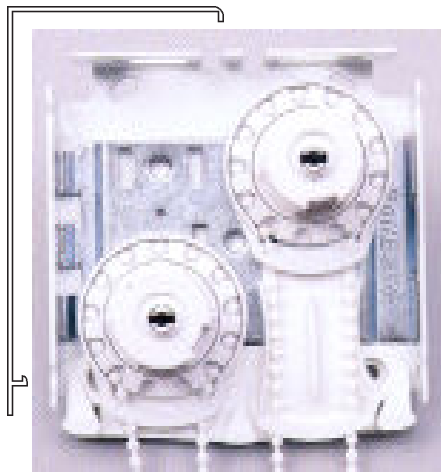
The 5" fascia is available in anodized, bronze, and white. It can be used to house a double shade of two smaller roller blinds, housed under one fascia.

Maximum Width for this option is 85"

Maximum Length for this option is the same as for SMC (small cassette)

All double layered shade applications use a special "SL-15" clutch and a 1 1/4" tube. Galaxy Clutch can not be used under this fascia on a double layered shade. (Galaxy can be used on a single shade under this fascia)

Both of the shades have to be the same width. Fascia is installed with the horizontal portion of the "L" at the top so that the bottom is full open to allow both shades to operate. These are best done with outside wall mounts. Ceiling mount is difficult to install as the fascia would need to be attached to the brackets prior to mounting.



General Information

Aluminum Horizontals

Parkland Faux Wood Blinds

Pleated Shades

Cellular Shades

Roller Blinds

Vertical Blinds

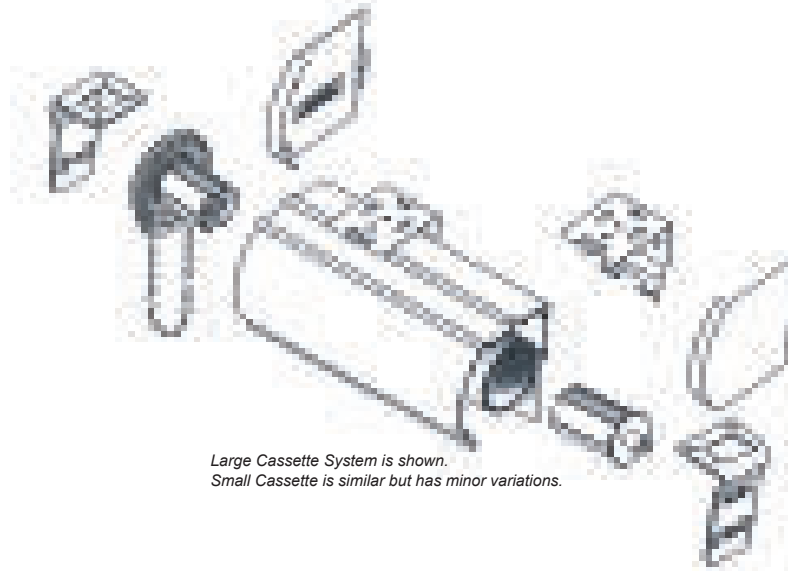
PrivacySheer™

Roller Blinds Cassette

Skyline Fabric Insert Cassette (Optional)

We have added two cassette options for our roller blind program. There is a small cassette which is very limited in drop length capacity, and a large cassette with full capacity. Both of the cassette systems incorporate extruded aluminum housings complete with internal and external brackets and end caps. They both can be used with or without a fabric insert. Our default is to include the fabric wrap when the cassette is ordered, so if you want it without the wrap, please clearly specify this at time of order.

The systems also allow for two blinds under one cassette (side by side) which must be ordered with the original blinds; retro-fitting does not work. For 2-on-1, please list each blind separately along with the total width. Deductions will be made at factory. Chains will hang from each side on 2-on-1. Middle gap is approximately 1 3/4". Price each blind, plus the wider cassette.



Large Cassette System is shown.
Small Cassette is similar but has minor variations.



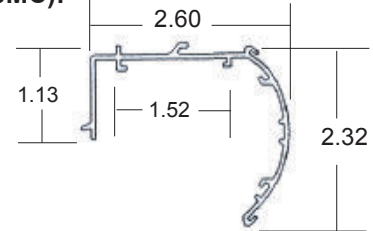
Optional intermediate bracket holds 2 pin ends.

Cassette

	SMC	LGC
Max Drop:		
Bombay:	90"	134"
Duplex	75"	134"
Gilligan	30"	134"
JSS1100	65"	134"
JSS1300	75"	134"
JSS1500	75"	134"
JSS2000	65"	134"
Monet	75"	134"
Sunguard	75"	134"
SW2000	75"	134"
SW3000	60"	134"
SW4400	45"	134"
SW4500	75"	134"
SW4550	75"	134"
SW4600	75"	134"
SW4650	75"	134"
SW5000	30"	134"
SW7000	60"	134"
Tahiti	30"	134"
Trevi	75"	134"

Small Cassette (SMC):

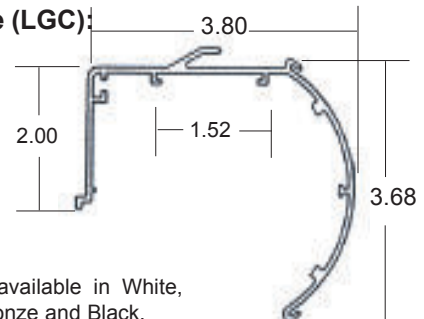
Max width: 79"
Max drop: see chart.



The small cassette is available in White and Black.

Large Cassette (LGC):

Max width: 144"
(192" for 2-on-1)
Max drop: 134"



Large cassette is available in White, Ivory, Anodized, Bronze and Black.

Motorized Roller Blind Specification

General Information

Wirefree (WF)

also called LT-30 for small blinds:

12 volt DC motor

Built-in RTS (Radio Technology Somfy) Control. Compatible with entire family of RTS remotes, wall switches and accessories.

Programmable Limit settings via transmitter or wall switch

Works with either the 1 1/4" tube or the 1 1/2" tube. Uses standard "Skyline" bracketing System on both the motor and idle ends.

Can be installed with:

- Vertical Valance
- 3" Fascia (size restrictions)
- 4" Fascia
- 5" Fascia
- Small Cassette (size restrictions)
- Large Cassette

Things to know:

Minimum Width is 15"

Battery life depends on usage, heavy use would require frequent battery changes. We recommend plug in transformer.

Please note size restrictions listed on chart; this system can not be used on large blinds.

Power Options:

Plug in transformer (comes with 25' of cable) (recommended option)

Battery Tube
Requires 8 AA lithium batteries (batteries not included)

Aluminum Horizontals

Parkland Faux Wood Blinds

Pleated Shades

Cellular Shades

Roller Blinds

Vertical Blinds

PrivacySheer™

Sonesse 30 (S30) for most blinds

24 volt DC motor (Low Voltage)

Near Silent operation at 44 dba

Built-in RTS (Radio Technology Somfy) Control. Compatible with entire family of RTS remotes, wall switches and accessories.

Programmable Limit settings via transmitter or wall switch

Works with either the 1 1/2" tube or the 2" tube. Uses standard "Skyline" bracketing System on both the motor and idle ends.

Things to know:

Minimum Width is 20"

Please note size restrictions listed below, there are more restrictions on the valance options as this motor requires a larger tube size than is standard on some of the narrow blinds. This motor can **not** be installed in a small Cassette

Max drop length (in inches) under various valances:

	F3	F4&F5	LGC
JSS	110	144	130
JSS2000	85	144	110
Monet	144	144	144
SW2000	110	144	130
SW3000	90	144	110
SW4000	80	144	130
SW5000	50	144	85
SW7000	85	144	110

Power Options:

24V DC plug in motor with 25' of Cable. Requires 1.66 Amps

Other special order options available for larger installations.

Sonesse 50 (S50) for large blinds

120 volt AC motor

Near Silent operation at 44 dba

Built-in RTS (Radio Technology Somfy) Control. Compatible with entire family of RTS remotes, wall switches and accessories.

Programmable Limit settings via transmitter or wall switch

Works with a 2 3/4" tube, which allows for larger widths of blinds. This system has a unique bracketing a pin system which is not compatible with chain operated blinds.

New "Silent Pin" Technology provides great strength combined with ball bearing rotation.

Things to know:

Minimum Width is 37"

Only the 5" Fascia can be used with the Sonesse 50 system.

Power Options:

Plug in cord: 3 ft
6 ft
12 ft (most common)
18 ft
24 ft

or
In wall wired (no wire provided), needs to be installed by an electrician.

Even when using an electrician, we suggest using a hidden plug in, as it makes programming easier if there are multiple blinds.

All pricing is done by quotation. Pricing includes the motor, crowns, drives, and bracket adapters. It also includes labour for pre-setting the limits to specified points. The power source and the controller/transmitter are priced separately. The same Controllers can be used on all motor options. There are other Power Options available on a special order basis.



Plug-in for Wire-Free
Somfy #1822192

Similar unit for the Sonesse 30
Somfy #1822209



Battery Tube for Wire-Free



Telis 1 RTS Pure
Single Channel
Remote
1810632

Telis 4 RTS Pure
Five Channel
Remote
1810633

Roller Blind Motor Size Range

The following charts show the size ranges that blinds can be made based upon the size of the motor chosen. The first chart is for the WF motor, the second for the Sonesse 30, and the third chart for the Sonesse 50.

Size	25	31	37	43	49	55	64	73	79	85	97	118	144
28	WF	WF	WF	WF	WF	WF	WF	WF					
34	WF	WF	WF	WF	WF	WF	WF	WF					
44	WF	WF	WF	WF	WF	WF	WF	WF					
54	WF	WF	WF	WF	WF	WF	WF	WF					
64	WF	WF	WF	WF	WF	WF	WF	WF					
74	WF	WF	WF	WF	WF	WF	WF	WF					
84	WF	WF	WF	WF	WF	WF	WF						
94	WF	WF	WF	WF	WF	WF							
104	WF	WF	WF	WF	WF	WF							
114	WF	WF	WF	WF	WF								
124	WF	WF	WF	WF									
134	WF	WF	WF	WF									

Size	25	31	37	43	49	55	64	73	79	85	97	118	144
28	S-30	S-30	S-30	S-30	S-30	S-30	S-30	S-30	S-30	S-30	S-30		
34	S-30	S-30	S-30	S-30	S-30	S-30	S-30	S-30	S-30	S-30	S-30		
44	S-30	S-30	S-30	S-30	S-30	S-30	S-30	S-30	S-30	S-30	S-30		
54	S-30	S-30	S-30	S-30	S-30	S-30	S-30	S-30	S-30	S-30	S-30		
64	S-30	S-30	S-30	S-30	S-30	S-30	S-30	S-30	S-30	S-30	S-30		
74	S-30	S-30	S-30	S-30	S-30	S-30	S-30	S-30	S-30	S-30	S-30		
84	S-30	S-30	S-30	S-30	S-30	S-30	S-30	S-30	S-30	S-30	S-30		
94	S-30	S-30	S-30	S-30	S-30	S-30	S-30	S-30	S-30	S-30			
104	S-30	S-30	S-30	S-30	S-30	S-30	S-30	S-30	S-30	S-30			
114	S-30	S-30	S-30	S-30	S-30	S-30	S-30	S-30	S-30	S-30			
124	S-30	S-30	S-30	S-30	S-30	S-30	S-30	S-30	S-30				
134	S-30	S-30	S-30	S-30	S-30	S-30	S-30	S-30	S-30				

Size	25	31	37	43	49	64	73	79	85	97	118	132	144
28			S-50	S-50	S-50	S-50	S-50	S-50	S-50	S-50	S-50	S-50	S-50
34			S-50	S-50	S-50	S-50	S-50	S-50	S-50	S-50	S-50	S-50	S-50
44			S-50	S-50	S-50	S-50	S-50	S-50	S-50	S-50	S-50	S-50	S-50
54			S-50	S-50	S-50	S-50	S-50	S-50	S-50	S-50	S-50	S-50	S-50
64			S-50	S-50	S-50	S-50	S-50	S-50	S-50	S-50	S-50	S-50	S-50
74			S-50	S-50	S-50	S-50	S-50	S-50	S-50	S-50	S-50	S-50	S-50
84			S-50	S-50	S-50	S-50	S-50	S-50	S-50	S-50	S-50	S-50	S-50
94			S-50	S-50	S-50	S-50	S-50	S-50	S-50	S-50	S-50	S-50	S-50
104			S-50	S-50	S-50	S-50	S-50	S-50	S-50	S-50	S-50	S-50	S-50
114			S-50	S-50	S-50	S-50	S-50	S-50	S-50	S-50	S-50	S-50	
124			S-50	S-50	S-50	S-50	S-50	S-50	S-50	S-50	S-50		
134			S-50	S-50	S-50	S-50	S-50	S-50	S-50	S-50	S-50		

General Information

Aluminum Horizontals

Parkland Faux Wood Blinds

Pleated Shades

Cellular Shades

Roller Blinds

Vertical Blinds

PrivacySheer™

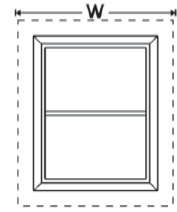
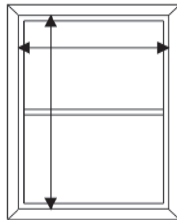
Measuring Instructions

Please submit the exact sizes: we will not make any deductions!

Tolerance on width is +/- 1/8".

Tolerance on length is minimum exact length ordered.

Jackson recommends that all window coverings be professionally measured and professionally installed.



Inside Mount or Outside Mount

Bracket to Bracket Width

Measure the smallest inside width. The measurement is from the outside of the control bracket to the outside of the idle bracket. There is no longer a need to make any deductions for the Skyline System. Please note that the fabric width is 1 1/8" less than the bracket to bracket width, so there will be some light gaps. This gap is larger on both sides when S50 motors are required.

Exact Drop Length

Measure the length of the area to be covered. There is **no** need to add additional fabric for roll-up as this has already been factored in. Blinds over 100" long may be subject to some telescoping when raised.

Outside Mount

We suggest a minimum of 1 1/2" overlap on each side of the window to provide good coverage.

Width

Supply the exact width for the bracket to bracket measurement after you have added for overlaps.

Finished Drop Length

Measure the length from above the window to the point of coverage below the bottom of the sill. There is **no** need to add additional fabric for roll-up as this has already been factored in. Blinds over 100" long may be subject to some telescoping when raised.

Valances



Regular Valance

A Regular Valance can add the finishing touch to any installation. This is a vertical blind style of valance which is made of a special pvc with clear edge fabric holders. A piece of the same fabric as used on the blind is inserted into the valance and it has smooth rounded corners to form the end return.

Standard end return sizes for roller blinds are:

Wall mount SL10	3.75"
Projection Mount SL10	3.75"
Wall Mount SL20	3.75"
Projection Mount SL20	4.25"

Special size end returns up to 10" long can be specified.



Executive Valance

An Executive Valance adds excitement to your blind. They are made of pvc with 2 grooves which hold decorative edge trim. A piece of blind fabric is inserted into the valance and it has smooth, continuous rounded corners to form the end return. The trim also curves around the corner.

Standard end return sizes are

Wall mount	4.75"
Projection Mount	6"

Executive Valance Trim Colours

301 Gold	307 White
302 Chrome	308 Dusty Rose
303 Dark Walnut	309 Grey
304 Light Oak	310 Burgundy
305 Black	311 Br. Aluminum
306 Red	316 Lavender

Double Executive

A Double Executive Valance provides extended coverage over the headrail of your blind. The end returns on the top part of double executive valances are longer than on regular or single executive valances as there is additional clearance required to allow for the bottom section.

Standard end return sizes are

Wall mount w/adaptor	top 5.5"	bottom 4.75"
Proj. Mount w/adaptor	top 7"	bottom 6.25"



Care and Cleaning Instructions

Clean the fabric of the blind by vacuuming periodically. Vinyl may be cleaned with a damp cloth or mild detergent. Do not operate the roller blind other than by using the chain. Please note that all roller blinds tend to curl at the edges. This is normal. The extent of the curling will depend on the backside of the blind, and the size of the blind. Many people choose to put side drapes over the blinds to conceal this situation.

General Information

Aluminum Horizontals

Parkland Faux Wood Blinds

Pleated Shades

Cellular Shades

Roller Blinds

Vertical Blinds

PrivacySheer™

Roller Blinds

Roller Blind Order Form ([Download from www.jackson.ca](http://www.jackson.ca))

QTY	WIDTH	LENGTH	PATTERN & COLOUR	Clutch White* Black	CTRL Right* Left	CHAIN P Plastic M Metal	ASSIST PESA SA Spring Assist G Galaxy GS Galaxy+SA WF Motor S30 Motor S50 Motor	HEM 00 BB WR (col)	MNT Regular Proj.	VALANCE Yes No 3 Fascia (col) 4 Fascia (col) 5 Fascia (col) SMC LGC	VAL Wall Ceiling Proj.	E/R Yes No (Size)

Qty

Fill in the number of identical blinds that are required.

Width

Fill in the exact width in inches that is required from outside of the control bracket to the outside of the end plug bracket. Bracket to bracket width. No deduction is required for Skyline System.

Length

Fill in the finished length in inches that is required. There is no need to add for roll-up.

Pattern & Colour

Fill in the pattern and colour name for the blinds.

Colour

Fill in the colour for the operating system: "W" for white (Bone) and "B" for Black. White is the default colour. We match the clutch, brackets and accessories to this colour if applicable. This needs to be specified on WF and Sonesse 30 motorized orders for the brackets.

Control (CTRL)

Fill in the side that you want the control on. Use "R" for the right hand side and "L" for the left hand side.

Chain

Fill in the type chain required. Use "P" for plastic chain, "M" for metal chain. There is a surcharge for metal chain.

Assist

Fill the code shown for P.E.S.A, Spring Assist, Galaxy, or Galaxy+SA.

Use "WF" for WireFree motor, "S30" for Sonesse 30 motor, and "S50" for Sonesse 50 motor. When ordering motors, please also write in the transmitters and the power supply that you require.

Hem Style

Fill in "00" for plain pocket, or "BB" and the Colour Number for Bottom Bar, or "WR" for wrapped bottom bar.

Mount

Fill in the type of brackets required for this roller blind. Use "R" for regular or "P" for projection.

Valance

Fill in the type of valance required. Use "Y" for regular valance, "N" for no valance. For a fascia valance fill in "F3" for 3" fascia, and F4 for 4" fascia. For cassettes, use SMG for the small cassette and LGC for the large cassette. Please include the colour chosen.

Valance Mount

Fill in "W" for regular wall mount, "C" for ceiling mount, or "P" for projection mount.

End Return

Fill in "Y" for standard end return, "N" for no end return, or fill in the desired end return size. The standard end return for a roller blind is **3.75"**.



WARNING

Young children can STRANGLE in cord and bead chain loops. They can also wrap cords around their necks and STRANGLE.

- Always keep cords and bead chains out of children's reach.
- Move cribs, playpens, and other furniture away from cords and bead chains. Children can climb furniture to get to cords.
- Do not tie cords together. Make sure cords do not twist together and create a loop.
- Attach tension device to wall or floor. This can prevent children from pulling cords and bead chains around their necks.

For more safety information: 1-866-662-0666

Roller Blinds Options for the Bottom Hem

General Information



Roller Blind Sewn Pocket (code: 00)

Our basic blind comes with a traditional interior bottom slat which is inside the pocket sewn at the bottom of the roller shade. There is no extra charge for this option.

Aluminum Horizontals

Parkland Faux Wood Blinds



Bottom Bar Colours

- B 3080 White
- B 3081 Bronze
- B 3082 Ivory
- B 3083 Anodized
- B 3084 Black

Roller Blind Exterior Bottom Bar (code: BB)

This is extruded aluminum and is available in white, ivory, anodized, bronze, and black. Use the "Bottom Bar" pricing shown on the bottom of each price page to upgrade to this system in place of the internal bottom bar. These colours correspond to the colours offered in our Fascia program.

Pleated Shades



This is our preferred option for the best hang, appearance, durability, and cleanability.

Cellular Shades

Roller Blinds



Wrapped Bar (code: WR)

This is extruded aluminum and is available in white, anodized, black. Use the "WR" pricing shown on the bottom of each price page to upgrade to this system. The bar has a tight fabric wrap on the front, but is exposed on the back. The end caps come in black or white, and we will match the end caps to the clutch colour specified.

Vertical Blinds

PrivacySheer™


Roller Blinds

Jackson Roller Blinds-- Index

PATTERN	CONTENT	GRP
BOMBAY	84% Polyester, 16% Linen Maximum width 70".	4
DUPLEX	4 PLY VINYL - FIBERGLASS, (1 ply fiberglass, 3 ply vinyl) Washable, 12 oz per sqyd. F/R to NFPA 701 Shadow free opacity Blackout	1
GILLIGAN	70% Polypropylene, 20% Polyester, 10% Cotton Maximum width 70".	3
JSS1100	Jackson SunScreen 1100 30% polyester, 70% vinyl on polyester 1% Open , 500 gr per sqmtr. F/R to NFPA 701, F/R to CAN/ULC S-109 Washable Oeko-Tex Standard 100	11
JSS1300	Jackson SunScreen 1300 30% polyester, 70% vinyl on polyester 3% Open , 420 gr per sqmtr. F/R to NFPA 701, F/R to CAN/ULC S-109 Washable Oeko-Tex Standard 100	13
JSS1500	Jackson SunScreen 1500 30% polyester, 70% vinyl on polyester 5% Open , 420 gr per sqmtr. F/R to NFPA 701 F/R to CAN/ULC S-109 Washable Oeko-Tex Standard 100	15
JSS2000	Jackson SunScreen 2000 Blackout , F/R to NFPA 701 F/R to CAN/ULC S-109 Oeko-Tex Standard 100	20
MONET	4 PLY VINYL - FIBERGLASS, (1 ply fiberglass, 3 ply vinyl) Washable, 12 oz per sqyd. F/R to NFPA 701 Shadow free opacity Blackout	1
SW2000	SHEERWEAVE 2000 37% fiberglass, 63% vinyl on fiberglass 5% Open , 13.6oz per sqyd. F/R to NFPA 701, Washable Wider widths (seamless) & non-directional.	31
SW3000	SHEERWEAVE 3000 35% fiberglass, 65% vinyl on fiberglass 31% polyester, 69% vinyl on polyester 14% Open , 14.8 oz per sqyd. F/R to NFPA 701, Washable	30
SW4100	SHEERWEAVE 4100 25% Polyester, 75% Vinyl on Polyester 10% Open , 17.5 oz per sqyd. F/R to NFPA 701, Washable	31

PATTERN	CONTENT	GRP
SW4400	SHEERWEAVE 4400 25% Polyester, 75% Vinyl on Polyester 3% Open , 20.7 oz per sqyd. F/R to NFPA 701, Washable	32
SW4500	SHEERWEAVE 4500 17% Polyester, 83% Vinyl on Polyester 5% Open , 14.4 oz per sqyd. F/R to NFPA 701, Washable	31
SW4550	SHEERWEAVE 4550 17% Polyester, 83% Vinyl on Polyester 5% Open , 12.5 oz per sqyd. F/R to NFPA 701, Washable	31
SW4600	SHEERWEAVE 4600 22% Polyester, 78% Vinyl on Polyester 3% Open , 17.4 oz per sqyd. F/R to NFPA 701, Washable	32
SW4650	SHEERWEAVE 4650 17% Polyester, 83% Vinyl on Polyester 3% Open , 13.3 oz per sqyd. F/R to NFPA 701, Washable	32
SW5000	SHEERWEAVE 5000 Polyester and Vinyl on Polyester Openness varies by weave. Contact us for specific info on each weave.	33
SW7000	SHEERWEAVE 7000 100% Polyester with acrylic foamed backing 10.0 oz per sqyd. Blackout F/R to NFPA 701	34
SUNGUARD	100% MYLAR FILM Handle with care. 4 mil reflective film	4
TAHITI	80% Polypropylene, 20% Polyester Maximum width 70".	4
TREVI	4 PLY VINYL - FIBERGLASS, (1 ply fiberglass, 3 ply vinyl) Washable, 12 oz per sqyd. F/R to NFPA 701 Shadow free opacity	2

Please note: Due to the texture of Trevi, some telescoping should be expected when the blind is raised.

 On all items marked F/R, please refer to specific flammability information. The information in these specifications refers to typical performance in the test indicated under laboratory conditions. None of this information warrants performance or guarantees results under actual use conditions. The information is accurate to the best of our knowledge at the time of printing but is not intended to relieve the user from its responsibility to comply with all procedures applicable to the safe use of this product.

General Information

Aluminum Horizontals

Parkland Faux Wood Blinds

Pleated Shades

Cellular Shades

Roller Blinds

Vertical Blinds

PrivacySheer™

Roller Blinds

Monet Duplex

RB 1	25	31	37	43	49	55	64	73	79	85	97	118	144
28	95	103	112	122	131	145	158	172	193	204	281	442	521
34	99	109	119	129	139	154	168	183	205	217	296	460	542
44	106	118	129	141	152	168	185	202	226	239	321	490	578
54	114	127	139	153	165	183	202	221	246	261	345	520	614
64	121	136	150	164	178	198	219	240	267	282	370	550	650
74	136	151	167	183	199	220	243	267	*295	*312	*403	*588	*695
84	143	160	177	195	212	234	260	286	*315	*334	*428	*618	*732
94	151	169	188	207	226	249	277	305	*336	*356	*453	*648	*768
104	164	185	205	226	246	272	302	333	*409	*432	*488	*689	*817
114	175	197	219	242	264	291	325	401	*436	*461	*520	*728	*864
124	216	239	263	287	311	380	417	454	*491	*517	*579	*792	*935
134	223	249	312	338	364	396	435	474	*512	*540	*605	*824	*972
Val	26	28	30	34	36	38	41	54	58	60	64	74	82
Exec	41	46	50	55	59	64	70	77	81	86	94	110	129

Monet & Duplex length restrictions: 3F:120" SMC: 110" Layered Double: 120"
Fabric is bi-directional and may be railroaded.

Items marked * will have a Horizontal seam.

Trevi

RB 2	25	31	37	43	49	55	64	73	79	85	97	118	144
28	101	111	120	130	139	153	167	181					
34	106	116	126	137	147	162	178	193					
44	114	126	137	149	161	178	195	213					
54	122	135	148	162	175	193	213	233					
64	129	144	159	174	189	209	231	253					
74	144	160	177	193	210	231	256	280					
84	152	170	188	206	224	247	274	300					
94	160	179	198	218	238	262	291	320					
104	174	195	216	238	259	286	318	349					
114	185	208	231	255	278	306	341	419					
124	226	251	275	301	325	396	434	473					
134	234	260	325	352	380	412	453	494					
Val	26	28	30	34	37	39	42	55					
Exec	41	46	50	55	59	64	70	77					

Trevi length restrictions: 3F:120" SMC: 110" Layered Double: 120"

Add-on	25	31	37	43	49	55	64	73	79	85	97	118	144
FASCIA 3"	65	72	79	86	93	101	111	122	129	137			
FASCIA 4"	71	80	88	97	106	114	127	141	149	158	175	206	243
FASCIA 5"	156	172	188	204	220	236	260	285	301	317	349	405	475
SMC	55	64	73	82	91	100	114	127	136				
LGC	96	115	134	152	171	190	218	246	265	284	321	387	468
BB	23	27	31	34	38	42	48	54	58	61	69	82	99
WR	27	31	35	39	43	46	52	58	62	66	73	87	103

Roller Blinds

Gilligan Tahiti

RB 3	25	31	37	43	49	55	64	70					
28	122	136	149	163	177	196	216	237					
34	130	145	160	176	191	212	234	257					
44	142	160	178	197	215	238	265	291					
54	155	176	196	217	238	264	295	326					
64	168	191	214	238	262	290	325	360					
74	187	214	240	267	293	325	364	403					
84	200	229	258	288	317	351	395	438					
94	213	245	276	309	340	377	425	473					
104	233	268	303	339	374	414	467	520					
114	250	288	327	366	405	449	506	608					
124	296	338	379	421	463	550	613	677					
134	309	354	436	482	527	577	645	713					
Val	28	31	33	38	40	43	47	61					
Exec	43	48	53	58	63	67	75	82					

Gilligan and Tahiti length restrictions: 3F:60" SMC: 30" Layered Double: 60"

Bombay Sunguard

RB 4	25	31	37	43	49	55	64	70	79	85	97	118	144
28	126	141	156	171	186	206	229	251	279	296	385	567	672
34	134	151	168	185	202	224	250	275	304	323	416	605	718
44	149	169	189	209	229	254	284	314	346	368	468	668	794
54	163	186	209	233	256	284	319	353	389	414	519	730	870
64	177	203	229	256	282	314	353	392	431	459	571	793	946
74	198	228	258	288	317	352	396	441	*483	*514	*633	*866	*1,034
84	213	246	278	312	344	382	431	480	*526	*560	*685	*930	*1,111
94	227	263	299	335	371	412	466	520	*568	*606	*737	*993	*1,188
104	249	289	329	369	409	453	513	573	*669	*711	*805	*1,074	*1,286
114	268	312	356	400	443	492	558	666	*723	*770	*872	*1,155	*1,384
124	316	363	410	457	504	597	669	741	*801	*850	*959	*1,254	*1,497
134	331	381	469	521	572	628	705	782	*845	*898	*1,013	*1,319	*1,577
Val	29	32	34	39	42	45	49	63	67	70	75	87	99
Exec	44	49	54	59	64	69	76	84	89	94	104	121	143

Bombay and Sunguard length restrictions: 3F:120" SMC: 110" Layered Double: 120" *Items marked * will have a Horizontal seam.*
Fabric is bi-directional and may be railroaded.

Add-on	25	31	37	43	49	55	64	73	79	85	97	118	144
FASCIA 3"	65	72	79	86	93	101	111	122	129	137			
FASCIA 4"	71	80	88	97	106	114	127	141	149	158	175	206	243
FASCIA 5"	156	172	188	204	220	236	260	285	301	317	349	405	475
SMC	55	64	73	82	91	100	114	127	136				
LGC	96	115	134	152	171	190	218	246	265	284	321	387	468
BB	23	27	31	34	38	42	48	54	58	61	69	82	99
WR	27	31	35	39	43	46	52	58	62	66	73	87	103

Roller Blinds

1% Open JSS 1100 Series

RB 11	25	31	37	43	49	55	64	73	79	85	97	118	144
28	135	148	162	176	189	208	228	248	275	290	383	574	677
34	142	157	172	188	203	223	246	268	296	312	408	605	714
44	155	172	189	207	225	248	274	300	331	350	451	657	777
54	167	187	207	227	247	273	303	333	366	388	494	709	840
64	179	201	224	247	270	298	332	366	401	425	537	760	902
74	198	224	249	275	300	331	369	407	446	473	589	823	977
84	211	238	266	295	323	356	398	440	481	511	632	875	1,040
94	223	253	284	315	345	381	427	473	516	549	676	*927	*1,103
104	242	276	309	344	377	417	467	517	613	649	733	*995	*1,185
114	259	296	332	370	407	449	505	608	659	698	788	*1,062	*1,266
124	307	347	386	426	466	556	617	678	731	773	869	*1,152	*1,368
134	320	362	447	490	533	582	647	712	768	813	914	*1,206	*1,434
Val	28	30	32	37	39	41	45	59	63	65	70	80	91
Exec	43	47	52	57	62	66	73	80	85	90	99	116	136

JSS 1100 length restrictions: 3F:95" SMC: 60" Layered Double: 95"
Fabric is bi-directional and may be railroaded.

Items marked * will have a Horizontal seam.

3% Open JSS 1300 Series

RB 13	25	31	37	43	49	55	64	73	79	85	97	118	144
28	131	144	156	169	181	199	218	237	262	276	367	555	653
34	138	152	165	180	193	213	234	254	281	296	390	583	687
44	149	165	181	198	214	235	259	283	313	330	428	629	743
54	160	178	196	215	234	258	285	313	344	364	467	676	799
64	171	192	212	233	254	280	311	342	376	398	505	722	856
74	189	212	235	259	282	311	345	380	416	441	553	779	923
84	200	226	251	277	302	334	372	410	448	475	592	826	980
94	212	239	267	295	323	356	398	439	480	509	631	872	1,036
104	230	260	291	322	352	388	434	480	572	605	683	934	1,110
114	245	278	312	345	379	418	468	566	613	649	733	994	*1,183
124	292	328	364	400	436	522	577	632	682	721	808	1,079	*1,278
134	303	342	422	462	501	546	604	663	715	756	849	1,127	*1,337
Val	27	29	32	36	38	41	44	57	62	64	68	78	88
Exec	42	47	51	56	61	65	72	79	84	89	98	114	134

JSS 1300 length restrictions: 3F:98" SMC: 65" Layered Double: 98"
Fabric is bi-directional and may be railroaded.

Items marked * will have a Horizontal seam.

Add-on	25	31	37	43	49	55	64	73	79	85	97	118	144
FASCIA 3"	65	72	79	86	93	101	111	122	129	137			
FASCIA 4"	71	80	88	97	106	114	127	141	149	158	175	206	243
FASCIA 5"	156	172	188	204	220	236	260	285	301	317	349	405	475
SMC	55	64	73	82	91	100	114	127	136				
LGC	96	115	134	152	171	190	218	246	265	284	321	387	468
BB	23	27	31	34	38	42	48	54	58	61	69	82	99
WR	27	31	35	39	43	46	52	58	62	66	73	87	103

Roller Blinds

5% Open JSS 1500 Series

RB 15	25	31	37	43	49	55	64	73	79	85	97	118	144
28	125	136	147	159	170	187	204	221	245	258	345	527	619
34	131	143	156	169	181	199	218	236	262	276	365	551	648
44	141	155	169	184	199	219	240	262	289	305	399	591	697
54	150	167	183	200	216	238	263	287	317	335	432	632	746
64	160	178	197	216	234	258	285	313	344	364	466	672	795
74	177	198	218	239	259	286	316	347	380	403	508	722	854
84	187	209	232	255	277	305	339	373	408	432	542	763	904
94	197	221	246	271	295	325	362	399	436	462	576	804	953
104	213	240	267	295	321	354	394	435	522	552	622	858	1,018
114	227	256	286	316	345	380	424	515	559	591	665	911	*1,081
124	272	304	335	367	399	480	529	577	623	657	736	988	*1,168
134	282	316	391	426	461	501	552	604	651	688	771	1,030	*1,219
Val	27	29	31	35	37	40	43	56	60	63	67	76	86
Exec	42	46	51	56	60	65	71	78	83	88	96	113	132

JSS 1500: length restrictions: 3F:98" SMC: 65" Layered Double: 98"
Fabric is bi-directional and may be railroaded.

Items marked * will have a Horizontal seam.

BLACKOUT JSS 2000 Series

RB 20	25	31	37	43	49	55	64	73	79	85	97	118	144
28	144	159	173	188	202	223	245	266	294	310	409	613	722
34	152	168	184	201	217	239	263	287	317	335	437	647	763
44	165	184	203	222	241	266	294	323	355	375	483	703	831
54	178	200	221	244	265	293	325	358	393	416	529	759	899
64	191	216	240	265	289	320	356	393	431	457	576	815	967
74	212	240	267	295	322	356	397	438	479	508	632	882	1,047
84	225	256	286	316	347	383	428	473	517	549	679	938	1,116
94	239	272	304	338	371	410	459	509	555	590	726	995	1,184
104	259	296	332	369	405	448	502	557	659	698	788	1,068	1,273
114	277	317	357	397	437	483	543	654	708	751	848	1,141	*1,361
124	328	371	414	457	500	597	662	728	785	831	933	1,237	*1,469
134	342	387	478	525	572	625	695	765	825	873	982	1,296	*1,540
Val	28	30	32	37	39	42	45	59	63	66	70	81	91
Exec	43	47	52	57	62	66	73	80	85	90	99	116	136

JSS 2000: length restrictions: 3F:85" SMC: 50" Layered Double: 85"
Fabric is bi-directional and may be railroaded.

Items marked * will have a Horizontal seam.

Add-on	25	31	37	43	49	55	64	73	79	85	97	118	144
FASCIA 3"	65	72	79	86	93	101	111	122	129	137			
FASCIA 4"	71	80	88	97	106	114	127	141	149	158	175	206	243
FASCIA 5"	156	172	188	204	220	236	260	285	301	317	349	405	475
SMC	55	64	73	82	91	100	114	127	136				
LGC	96	115	134	152	171	190	218	246	265	284	321	387	468
BB	23	27	31	34	38	42	48	54	58	61	69	82	99
WR	27	31	35	39	43	46	52	58	62	66	73	87	103

Roller Blinds

SW3000

RB 30	25	31	37	43	49	55	64	73	79	85	97	118	144
28	126	140	154	168	181	200	220	241	267	282	370		
34	134	149	164	180	195	216	238	261	289	306	397		
44	147	164	182	201	219	242	269	295	326	345	442		
54	159	180	200	221	242	268	299	330	363	385	487		
64	172	195	218	242	265	294	329	364	400	424	532		
74	191	218	244	271	297	328	367	407	446	473	587		
84	204	233	262	291	320	355	398	441	483	513	632		
94	217	248	280	312	344	381	428	476	520	553	678		
104	237	272	307	342	377	417	470	522	615	652	737		
114	254	292	330	369	408	452	509	611	663	704	796		
124	300	342	383	425	466	554	617	680	735	779	876		
134	314	358	441	486	531	581	649	716	774	820	924		
Val	28	31	33	38	40	43	46	60	65	67	72		
Exec	43	48	52	58	62	67	74	81	87	91	101		

SW3000: length restrictions: 3F:85" SMC: 60" Layered Double: 85"

SW2000, SW4100, SW4500, SW4550

RB 31	25	31	37	43	49	55	64	73	79	85	97	118	144
28	133	148	164	180	195	216	239	262	290	307	398	584	691
34	142	159	176	194	211	234	260	286	316	335	430	623	738
44	156	177	197	218	239	265	295	326	359	381	483	687	816
54	171	195	218	243	266	295	331	366	403	428	536	751	894
64	186	212	239	267	294	326	366	407	446	475	589	816	973
74	207	238	268	299	330	365	411	456	499	531	653	891	1,063
84	222	256	289	324	357	396	447	497	543	578	706	956	1,142
94	237	274	311	348	385	427	482	538	587	626	760	*1,021	*1,221
104	259	300	341	382	423	469	530	592	690	733	830	*1,105	*1,322
114	279	324	369	414	459	509	577	688	746	793	898	*1,188	*1,423
124	328	376	424	473	521	616	690	763	825	876	987	*1,289	*1,538
134	343	394	485	538	590	648	727	806	871	925	1,043	*1,356	*1,620
Val	29	32	35	39	42	45	49	63	68	70	76	87	99
Exec	44	49	54	59	64	69	76	84	89	94	104	122	143

SW2000: length restrictions: 3F:98" SMC: 65" Layered Double: 98"

Items marked * will have a Horizontal seam.

SW4500, SW4550: length restrictions: 3F:75" SMC: 40" Layered Double: 75"

Fabrics are bi-directional and may be railroaded.

Add-on	25	31	37	43	49	55	64	73	79	85	97	118	144
FASCIA 3"	65	72	79	86	93	101	111	122	129	137			
FASCIA 4"	71	80	88	97	106	114	127	141	149	158	175	206	243
FASCIA 5"	156	172	188	204	220	236	260	285	301	317	349	405	475
SMC	55	64	73	82	91	100	114	127	136				
LGC	96	115	134	152	171	190	218	246	265	284	321	387	468
BB	23	27	31	34	38	42	48	54	58	61	69	82	99
WR	27	31	35	39	43	46	52	58	62	66	73	87	103

Roller Blinds

SW4400, SW4600, SW4650

RB 32	25	31	37	43	49	55	64	73	79	85	97	118	144
28	143	161	178	196	213	236	262	288	319	338	435	631	748
34	153	173	193	213	232	258	287	317	349	370	472	676	803
44	170	193	217	241	264	293	328	363	400	425	534	751	894
54	187	214	241	269	296	329	369	410	450	479	595	826	986
64	204	235	266	297	328	364	411	457	501	533	657	901	1,077
74	228	263	298	334	369	409	461	514	562	598	730	989	1,182
84	245	284	323	362	401	445	503	561	613	653	793	1,064	1,274
94	262	305	347	390	433	481	545	608	664	708	855	*1,140	*1,366
104	287	334	382	429	476	529	600	671	776	826	936	*1,237	*1,483
114	310	362	414	466	518	575	653	776	842	896	1,016	*1,333	*1,600
124	361	417	473	529	585	689	774	859	929	987	1,115	*1,446	*1,730
134	379	439	538	599	660	726	817	908	982	1,044	1,179	*1,525	*1,825
Val	30	33	36	41	43	46	51	65	70	73	79	91	103
Exec	44	49	55	60	65	70	78	85	91	96	106	124	146

Length restrictions: 3F:75" SMC: 40" Layered Double: 75" LGC: 120" LGC>98wide: 98" *Items marked * will have a Horizontal seam.*
 Fabrics are bi-directional and may be railroaded.

SW5000

RB 33	25	31	37	43	49	55	64	73	79	85	97	118	144
28	159	181	203	225	247	274	307	339	374	397	501		
34	172	197	222	247	272	302	339	376	414	440	550		
44	194	224	253	284	314	349	393	438	481	512	632		
54	215	250	285	321	355	396	448	500	547	584	714		
64	237	277	317	357	397	442	502	562	614	656	796		
74	267	312	357	403	449	499	567	635	693	740	891		
84	289	339	390	440	491	546	622	697	760	812	973		
94	311	366	422	478	533	594	677	760	828	885	1,056		
104	342	404	465	527	589	656	748	840	959	1,023	1,161		
114	371	439	507	575	643	716	818	964	1,045	1,116	1,267		
124	427	500	573	647	720	840	951	1,062	1,149	1,224	1,386		
134	450	528	645	725	805	889	1,008	1,127	1,219	1,300	1,472		
Val	32	36	39	44	48	51	56	72	77	80	87		
Exec	46	52	57	63	69	74	83	91	97	102	113		

SW5000: length restrictions: 3F:60" SMC: 30" Layered Double: 60" LGC 108"

Add-on	25	31	37	43	49	55	64	73	79	85	97	118	144
FASCIA 3"	65	72	79	86	93	101	111	122	129	137			
FASCIA 4"	71	80	88	97	106	114	127	141	149	158	175	206	243
FASCIA 5"	156	172	188	204	220	236	260	285	301	317	349	405	475
SMC	55	64	73	82	91	100	114	127	136				
LGC	96	115	134	152	171	190	218	246	265	284	321	387	468
BB	23	27	31	34	38	42	48	54	58	61	69	82	99
WR	27	31	35	39	43	46	52	58	62	66	73	87	103

Roller Blinds

SW7000

RB 34	25	31	37	43	49	55	64	73	79	85	97	118	144
28	176	202	228	255	281	312	352	391	430	457	570	794	947
34	192	222	252	282	312	347	392	437	479	510	631	867	1,037
44	219	255	291	327	363	405	459	513	561	599	732	990	1,187
54	245	287	330	372	415	462	525	589	644	688	833	1,113	1,336
64	272	320	369	417	466	520	592	665	726	776	933	1,235	1,486
74	306	362	417	472	528	588	671	753	821	878	1,049	1,374	1,653
84	333	395	456	518	579	646	738	830	904	967	1,151	1,498	1,804
94	360	428	495	564	631	704	806	907	987	1,057	1,253	1,622	*1,955
104	397	473	548	624	699	780	893	1,006	1,138	1,216	1,382	*1,778	*2,144
114	432	515	598	682	765	854	979	1,147	1,244	1,330	1,511	*1,935	*2,336
124	493	583	673	763	853	989	1,125	1,261	1,364	1,456	1,650	*2,097	*2,526
134	521	617	752	850	947	1,049	1,195	1,340	1,450	1,549	1,756	*2,226	*2,683
Val	34	38	42	48	52	56	61	77	83	87	95	111	128
Exec	48	54	60	66	72	78	87	96	102	108	120	141	167

SW7000: length restrictions: 3F:85" SMC: 50" Layered Double: 85"

Items marked * will have a Horizontal seam.

LGC over 98" wide, max length is 108"

Fabric is bi-directional and may be railroaded.

Add-on	25	31	37	43	49	55	64	73	79	85	97	118	144
FASCIA 3"	65	72	79	86	93	101	111	122	129	137			
FASCIA 4"	71	80	88	97	106	114	127	141	149	158	175	206	243
FASCIA 5"	156	172	188	204	220	236	260	285	301	317	349	405	475
SMC	55	64	73	82	91	100	114	127	136				
LGC	96	115	134	152	171	190	218	246	265	284	321	387	468
BB	23	27	31	34	38	42	48	54	58	61	69	82	99
WR	27	31	35	39	43	46	52	58	62	66	73	87	103

Verticals

Vertical Order Form (Download from www.jackson.ca)

Vertical PrivacySheer™ Mystic Sheer™

QTY	WIDTH	LENGTH	PATTERN & COLOUR	DRAW Right Left Centre	CTRL Right Left	MOUNT Wall* Ceiling Projection	BOTTOM Metal* Chainless Keyhole No Keyhole* PrivacySheer Standard Floating	VAL Yes No Exec/Trim Dbl/Trim	E/R Yes No (size)	PRICE

Qty

Fill in the number of identical blinds that are required.

Width

Fill in the exact width in inches that is required. This should be after deductions have been made and is the exact rail width.

Length

Fill in the exact length in inches that is required. This is the final length from the top of the headrail to the bottom of the vanes.

Pattern & Colour

Fill in the pattern and colour name for the blinds.

Draw

Fill in "R" for right stack (one way draw); fill in "L" for left stack (one way draw); or fill in "C" for center split verticals.

Control

Fill in the side that you want the control on. Use "R" for the right hand side and "L" for the left hand side.

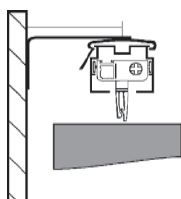
Standard Cord and Chain Drops

Chain Drop

up to 72" Long 1/2 of length (Min 12")
Over 72" Long length less 48"

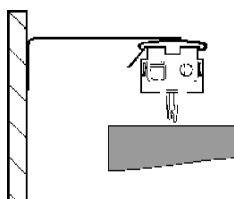
Cords are a continuous loop, with a clamping tension device attached, and made 3/4 of blind length. Chains are cut with a bell tassel on each end. Special chain/cord lengths are available on request. The chain drop is measured from the top of the headrail to the bottom point on the chain when the vanes are open. The chain traverses approximately 8" in each position from that midway point. Sizes are approximate.

Standard wall bracket
Wall to centre is 2 5/8"



Standard bracket theoretical clearance is 7/8". Usable clearance is 3/8".

Projection bracket
Wall to centre is 4"



Projection bracket theoretical clearance is 2 1/4". Usable clearance is 1 3/4".

Mount

Fill in the type of brackets that you require for this vertical blind. Use "C" for ceiling clip, use "W" for wall bracket, and use "P" for projection bracket.

Bottom

Fill in your preference for bottom systems. For soft vanes your options are: "M" for metal bead chain and clip, or "C" for chainless.

For Hard Vanes your options are "K" for keyhole and chain, or "N" for no keyhole.

Valance

Fill in the type of valance required. Use "Y" for regular valance, "N" for no valance, "E" followed by the trim colour number for executive valance, or "D" followed by the trim colour number for double executive valance. See page 50 for more details.

End Return

Fill in "Y" for standard 4 3/4" end returns, "N" for no end returns, or fill in the desired end return size.

Standard End Returns

Vertical 4.75"
PrivacySheer™ 6"

Price

Optional, fill in the retail price.

Vanes Only

When you are ordering vanes only, please ensure that you clearly specify either:

Full Vertical Length (FVL)

This is a measurement from the top of the rail to the bottom of the vane.

Exact Louver Measure (ELM)

This is the measurement from the top of the vane to the bottom of the vane. This measurement for any Jackson rail system is 1 1/2" less than the full vertical measure.

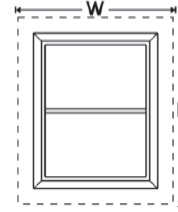
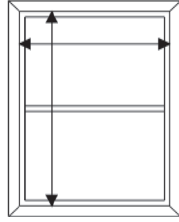
Verticals

Measuring Instructions

Please submit the exact sizes: we will not make any deductions!

Tolerance on width and length is +/- 1/8".

Jackson recommends that all custom window coverings be professionally measured and professionally installed.



Inside Mount

Width

Measure the smallest inside width and subtract 3/8" for headrail clearance.

Length

Measure the smallest inside length and deduct a minimum of 3/4" for operational clearance. (7/8" if you have a valance)

Outside Mount

Width

Supply the exact width for the blind. You should allow enough stack space to maximize your window opening.

Length

Measure from the top of the rail to the bottom of the vanes.

Heating units can cause severe damage to most vertical louvers. Please ensure that additional clearance is allowed. Electric baseboard heaters cause the worst problems.

Please allow a minimum clearance of:

PVC louvers 20" above & 8" in front

Cloth Louvers 6" above & 3" in front

Stack Space and Vane Count

One-Way Draw Track				Centre Split Track					
Width Up to	Vanes	Stack	Width Up to	Vanes	Stack	Width Up to	Vanes	Total Stack	Stack per side
13.375	4	5.5	107.125	34	20.5	12.875	4	5.5	2.75
16.500	5	6.0	110.250	35	21.0	19.125	6	6.5	3.25
19.625	6	6.5	113.375	36	21.5	25.375	8	7.5	3.75
22.750	7	7.0	116.500	37	22.0	31.625	10	8.5	4.25
25.875	8	7.5	119.625	38	22.5	37.875	12	9.5	4.75
29.000	9	8.0	122.750	39	23.0	44.125	14	10.5	5.25
32.125	10	8.5	125.875	40	23.5	50.375	16	11.5	5.75
35.250	11	9.0	129.000	41	24.0	56.625	18	12.5	6.25
38.375	12	9.5	132.125	42	24.5	62.875	20	13.5	6.75
41.500	13	10.0	135.250	43	25.0	69.125	22	14.5	7.25
44.625	14	10.5	138.375	44	25.5	75.375	24	15.5	7.75
47.750	15	11.0	141.500	45	26.0	81.625	26	16.5	8.25
50.875	16	11.5	144.625	46	26.5	87.875	28	17.5	8.75
54.000	17	12.0	147.750	47	27.0	94.125	30	18.5	9.25
57.125	18	12.5	150.875	48	27.5	100.375	32	19.5	9.75
60.250	19	13.0	154.000	49	28.0	106.625	34	20.5	10.25
63.375	20	13.5	157.125	50	28.5	112.875	36	21.5	10.75
66.500	21	14.0	160.250	51	29.0	119.125	38	22.5	11.25
69.625	22	14.5	163.375	52	29.5	125.375	40	23.5	11.75
72.750	23	15.0	166.500	53	30.0	131.625	42	24.5	12.25
75.875	24	15.5	169.625	54	30.5	137.875	44	25.5	12.75
79.000	25	16.0	172.750	55	31.0	144.125	46	26.5	13.25
82.125	26	16.5	175.875	56	31.5	150.375	48	27.5	13.75
85.250	27	17.0	179.000	57	32.0	156.625	50	28.5	14.25
88.375	28	17.5	182.125	58	32.5	162.875	52	29.5	14.75
91.500	29	18.0	185.250	59	33.0	169.125	54	30.5	15.25
94.625	30	18.5	188.375	60	33.5	175.375	56	31.5	15.75
97.750	31	19.0	191.500	61	34.0	181.625	58	32.5	16.25
100.875	32	19.5	192.000	62	34.5	187.875	60	33.5	16.75
104.000	33	20.0				192.000	62	34.5	17.25

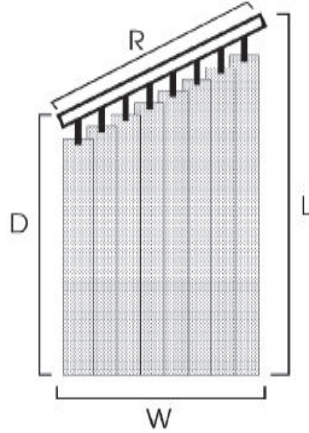
Verticals

Angle Top Installations

The maximum angle of incline is 45°. All angle installation blinds must be one way draw, no center split blinds are allowed. If they traverse, it must be to the high end of the blind. Controls can be at either end. A cord cleat (not included) is required if traversing is desired to hold the vanes in place. Normally these installations are best as "rotate only".

All angle installation blinds come with universal joints in the carriage bodies to ensure proper hang and rotation.

All angle installation blinds made from fabrics come with unfinished bottom hems along with special adjustable bottom weights which have a built in buckle. This allows for proper final adjustment at installation. These special weights are off-white in colour.



Hard vanes of pvc or aluminum are not recommended for angle installations, as getting the blind to the exact size is extremely difficult. If ordered, all vanes will be shipped at longest length and they can be trimmed to size on site.

Jackson's require all dimensions shown along with a notation of whether it is an inside or outside mount. We reserve the right to refuse any order if the bottom corners are not 90°. It is crucial that accurate measurements are taken in order to properly determine the angle of incline.

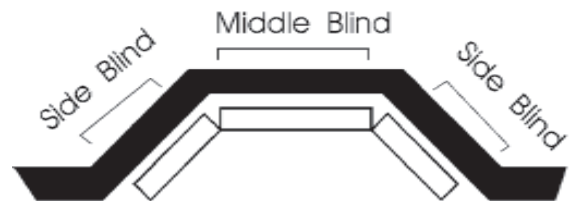
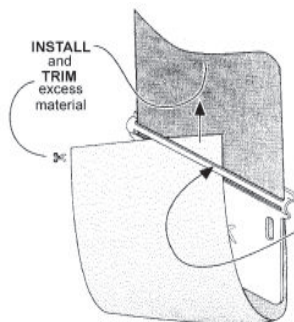
We require a minimum "D" dimension of 6" as angle vertical blinds can not be made to a sharp point. This will allow for adequate space for the headrail along with a very short vane and bottom weight.

Price from price schedule using "R" for the width and "L" for the length and add \$ **65.00 per foot** of "R".

Angle Bottom

Angle Bottom blinds are similar to the angle top in that they use the adjustable bottom weights. They do not require the special jointed carriers. There is no difficulty in traversing angle bottom blinds, so center split blinds are available.

Price from price schedule and add \$ **10.00 per foot** of width.



Bay Window Installations

(Butt Together)

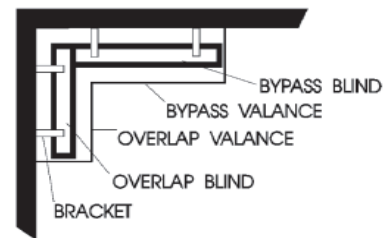
The easiest way to order these is for the dealer to make all deductions and to order regular blinds (no extra charge). This works particularly well when there is some discretionary wall space to play with. The deductions shown are based upon the angles shown.

The valance can simply be ordered separately and cut to size on site.

It is possible to send all wall measurements to Jackson's to have a scale drawing done and deductions made, but this requires a \$ **100.00** surcharge.

The standard deductions are:

30° Angle	Wall Mount	Proj. Mount
Middle Blind	2"	2 1/2"
Side Blinds	1"	1 1/4"
45° Angle	Wall Mount	Proj. Mount
Middle Blind	2 3/4"	3"
Side Blinds	1 1/2"	1 3/4"



Vertical Corner Installation

(Butt Together)

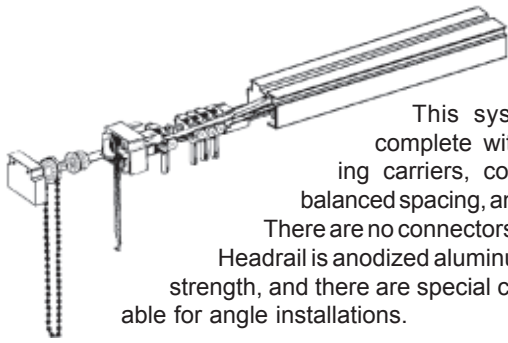
The best way to order these is for the dealer to make all deductions and to order regular blinds (no extra charge). The valance can simply be ordered separately and cut to size on site. To do this, please make deductions from the following chart:

System 3000	Wall Mount	Projection Mount
By pass blind	3 3/4"	5"
Overlap blind	2"	3 1/4"

It is possible to send all wall measurements to Jackson's to have a scale drawing done and deductions made, but this requires a \$ **100.00** surcharge.

Verticals

General Information

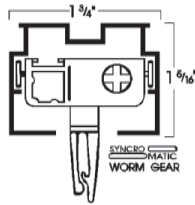


This system comes complete with self-aligning carriers, control ends, balanced spacing, and #10 chain. There are no connectors in the chain. Headrail is anodized aluminum for added strength, and there are special carriers available for angle installations.

Aluminum Horizontals

All rails over 72" wide come with a dummy carrier to support the pinion rod and prevent the cords from sagging.

The chain is no longer in a continuous loop but has matching tassels at the ends. This eliminates the need to have the chain secured by a safety device. The cord still is placed inside a safety device, which must be secured to the wall. The safety device is the same as the one used in roller blind production, which locks onto the cord until it is installed.



Parkland Faux Wood Blinds

Pleated Shades



Cut Chain



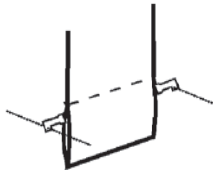
Safety Device

Cellular Shades

Vertical Bottom Systems

Metal

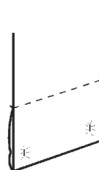
Nickel plated bottom weights are provided to be slid into the bottom pocket of each vane. A nickel plated bead chain with plastic clip may be provided and can be attached to the weights at installation to provide stability.



Roller Blinds

Chainless

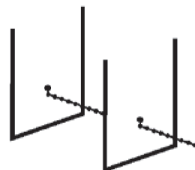
Metal bottom weights are flipped upside down and tacked in place via a quick stitch through the holes where the clips normally go. This prevents the weights from falling out or moving. No chain is included.



Vertical Blinds

Keyhole

This option is available only on vanes of pvc or groover. **It is not recommended on most installations**, but can be provided at no charge at time of order. Vanes are keyhole punched in the bottom, and #3 metal beadchain is provided.



PrivacySheer™

Regular Valance

A Regular Valance can add the finishing touch to any installation. They are made of a special pvc with clear edge fabric holders. A piece of the same fabric as used on the blind is inserted into the valance and it has smooth rounded corners to form the end return.

Standard end return sizes are

Wall mount 4.75"
Projection Mount 6"

Special size end returns up to 10" long can be specified.



Executive Valance

An Executive Valance adds excitement to your blind. They are made of pvc with 2 grooves which hold decorative edge trim. A piece of blind fabric is inserted into the valance and it has smooth, continuous rounded corners to form the end return. The trim also curves around the corner.

Standard end return sizes are

Wall mount 4.75"
Projection Mount 6"



Executive Valance Trim Colours

301 Gold	307 White
302 Chrome	308 Dusty Rose
303 Dark Walnut	309 Grey
304 Light Oak	310 Burgundy
305 Black	311 Br. Aluminum
306 Red	316 Lavender

Double Executive

A Double Executive Valance provides extended coverage over the headrail of your blind. The end returns on the top part of double executive valances are longer than on regular or single executive valances as there is additional clearance required to allow for the bottom section.

Standard end return sizes are

Wall mount w/adaptor
top 5.5" bottom 4.75"

Proj. Mount w/adaptor
top 7" bottom 6.25"



Verticals

PATTERN	GROUP
ARIANA	3
BONO	1
CLASSIC	10
CORDOVA	4
FANFARE	2
GROOVER	1
ICICLE	4
ISLAND	2
NEWBRIDGE	11
PVC	0
SALSA	11
SW2000	12
URSA	2
WICKER	2
WYCLIFF	11
<u>Limited Stock Items:</u>	
*BAMBOO	4
*CHAMOIS	0
*CHALET	11
*CONCORD	2
*COSMIC	11
*FALKLAND	11
*ISLE	11
*KLONDIKE	12
*LEATHERBY	2
*LISA	11
*PROVINCIAL	4
*PEMBROKE	11
*THRIFTY	10
*VIZCAYA	3

On all items marked F/R, please refer to specific flammability information. The information in these specifications refers to typical performance in the test indicated under laboratory conditions. None of this information warrants performance or guarantees results under actual use conditions. The information is accurate to the best of our knowledge at the time of printing but is not intended to relieve the user from its responsibility to comply with all procedures applicable to the safe use of this product.

Prices and Schedules are subject to change without notice.

Please note:

Some fabrics have patterns in the weave or which are printed or embossed. It is not possible to match these patterns. All patterns are intended to be on a random match basis. At installation, we recommend hang every 3rd vane to ensure that the pattern is random.

Cleaning Instructions

Fabric Materials

All fabric materials require periodic vacuuming. A damp cloth with a mild detergent may be used on some surface stains; do not scrub. Do not immerse the vanes in water. All fabrics have surface finishes to help resist staining, but if a stain penetrates the fabric, it cannot be removed.

PVC Materials

Clean with a damp cloth. A mild detergent can be used. It is okay to wash pvc in a tub, but scrubbing can affect surface appearance. PVC louvers tend to twist when exposed to high levels of direct sunlight combined with high temperatures, but will normally subside at night.

General Information

Aluminum Horizontals

Parkland Faux Wood Blinds

Pleated Shades

Cellular Shades

Roller Blinds

Vertical Blinds

PrivacySheer™

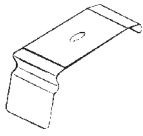
Assembled Vertical Track. (3.5" spacing) *Price includes brackets and cord safety device.*

	25	37	50	56	62	75	81	87	94	100	112	125	137	150	162	175	192
	3/8	7/8	3/8	5/8	7/8	3/8	5/8	7/8	1/8	3/8	7/8	3/8	7/8	3/8	7/8	3/8	0
Track	65	81	93	100	109	123	130	137	146	154	165	185	199	213	231	250	265

Verticals

Extra Parts

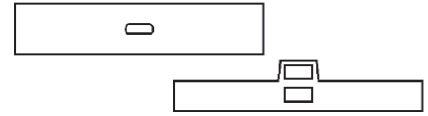
Note to the Dealer: Please contact your nearest Jackson office for a complete wholesale component price list.



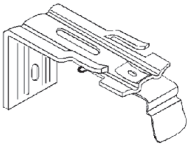
Ceiling Clips
V 3060



Bead Chain
V 5521 #3 for bottom
V 2241 #10 for controls



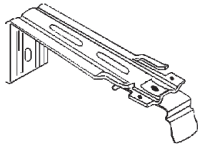
Top Tabs
V 5535 1-hole
V 5530 2-hole



Wall Brackets
V 3061



Bead Chain & Clip
V 5512



Projection Brackets
V 3062



Bottom Weights
V 5511

Groover

We offer ivory coloured groover with clear edges to increase the opacity of any fabric vertical blind. When this option is selected, we slide the fabric into the pvc groover channel, and then cut and punch the vanes in a manner similar to a "hard vane". The price chart below is to be added to the chart for the fabric selected. It includes the cost of the groover and the labour costs. The headrail is already factored into the fabric chart.

Some dealers will order a "groover" vertical, and insert their own item such as wall paper. For this application please use price chart 1 as it includes the headrail, brackets and components.

Add for Groover

Vrt A	25 3/8	37 7/8	50 3/8	56 5/8	62 7/8	75 3/8	81 5/8	87 7/8	94 1/8	100 3/8	112 7/8	125 3/8	137 7/8	150 3/8	162 7/8	175 3/8	192 0	Vane Only
36	45	62	79	87	95	115	123	132	160	169	188	207	226	245	266	285	313	7
48	55	78	100	111	122	147	158	169	200	212	236	261	285	309	336	360	396	9
60	66	94	121	135	149	179	193	207	240	255	285	314	344	373	405	435	479	10
72	77	110	143	159	176	211	228	244	280	298	333	368	403	438	475	510	562	11
86	89	128	168	187	207	249	268	288	327	348	389	430	471	512	556	597	659	13
96	98	142	186	207	229	275	297	319	361	383	429	475	520	566	614	660	728	14
108	109	158	207	231	256	308	332	357	401	426	477	528	579	630	684	735	811	15
120	120	174	228	256	283	340	367	394	441	469	525	582	638	694	753	809	894	17
132	130	190	250	280	310	372	402	431	481	512	574	635	697	759	823	884	977	18
144	141	206	271	304	336	404	436	469	521	555	622	689	756	823	892	959	1059	19


Verticals

PVC *Chamois

Vrt 0	25 3/8	37 7/8	50 3/8	56 5/8	62 7/8	75 3/8	81 5/8	87 7/8	94 1/8	100 3/8	112 7/8	125 3/8	137 7/8	150 3/8	162 7/8	175 3/8	192 0	Vane Only
36	142	172	202	217	232	266	281	296	330	346	378	410	442	473	508	540	586	5
48	149	183	217	234	250	287	304	321	357	375	410	446	481	517	555	591	642	6
60	157	194	231	250	269	309	328	346	384	404	443	482	521	561	602	641	698	7
72	164	205	246	266	287	331	351	372	411	433	476	518	561	604	649	692	755	8
85	172	217	262	284	306	354	377	399	441	464	511	558	604	651	700	747	815	9
96	178	227	275	299	323	374	398	423	466	491	541	591	641	691	744	794	867	10
108	186	237	289	315	341	396	422	448	493	520	573	627	681	735	791	844	923	11
120	193	248	304	332	359	418	446	473	520	549	606	663	721	778	838	895	979	11
132	200	259	318	348	377	440	469	499	547	578	639	700	761	822	885	946	1036	12
144	207	270	333	364	396	461	493	524	575	607	671	736	801	865	932	997	1092	13
VAL	30	37	43	46	50	56	60	63	66	70	76	83	90	96	103	110	118	
EXEC	47	56	66	70	75	85	89	94	99	104	113	122	132	141	151	160	173	
DBLE	93	112	131	141	150	169	179	188	198	207	226	245	264	283	302	321	346	

BONO GROOVER

Vrt 1	25 3/8	37 7/8	50 3/8	56 5/8	62 7/8	75 3/8	81 5/8	87 7/8	94 1/8	100 3/8	112 7/8	125 3/8	137 7/8	150 3/8	162 7/8	175 3/8	192 0	Vane Only
36	157	193	229	247	265	304	322	340	378	397	435	473	511	549	590	628	683	7
48	167	209	250	271	292	336	357	378	418	440	483	527	570	613	659	703	766	8
60	178	225	272	295	318	368	392	415	458	483	531	580	629	678	729	777	849	9
72	189	241	293	319	345	401	427	453	498	525	580	634	688	742	798	852	932	11
85	200	258	316	345	374	435	464	493	542	572	632	692	751	811	874	934	1022	12
96	210	273	336	367	399	465	496	528	579	611	676	741	805	870	937	1002	1098	13
108	221	289	357	391	425	497	531	565	619	654	724	794	864	934	1007	1077	1181	15
120	231	305	379	415	452	529	566	602	659	697	772	848	923	999	1077	1152	1263	16
132	242	321	400	439	479	561	600	640	699	739	820	901	982	1063	1146	1227	1346	17
144	253	337	421	464	506	593	635	677	739	782	868	955	1041	1127	1216	1302	1429	19
VAL	31	39	46	50	53	61	64	68	72	75	83	90	97	105	112	119	129	
EXEC	48	57	67	72	77	87	92	97	102	107	117	127	137	147	157	167	180	
DBLE	95	115	135	145	155	175	185	194	204	214	234	254	274	294	314	334	360	

 On all items marked F/R, please refer to specific flammability information. The information in these specifications refers to typical performance in the test indicated under laboratory conditions. None of this information warrants performance or guarantees results under actual use conditions. The information is accurate to the best of our knowledge at the time of printing but is not intended to relieve the user from its responsibility to comply with all procedures applicable to the safe use of this product.

Please note:
Some fabrics have patterns in the weave or which are printed or embossed. It is not possible to match these patterns. All patterns are intended to be on a random match basis. At installation, we recommend hang every 3rd vane to ensure that the pattern is random.

Verticals

FANFARE ISLAND URSA WICKER *Concord *Leatherby

General Information	Vrt 2	25	37	50	56	62	75	81	87	94	100	112	125	137	150	162	175	192	Vane
		3/8	7/8	3/8	5/8	7/8	3/8	5/8	7/8	1/8	3/8	7/8	3/8	7/8	3/8	7/8	3/8	0	Only
Aluminum Horizontals	36	168	209	250	271	291	335	356	376	417	439	482	524	567	610	656	699	762	8
	48	182	229	277	301	325	376	400	424	468	493	542	592	642	691	744	793	866	9
	60	195	250	304	331	359	417	444	471	518	547	603	660	716	772	831	888	971	11
Parkland Faux Wood Blinds	72	209	270	331	362	392	457	488	518	569	601	664	727	790	854	919	983	1076	13
	85	223	292	360	395	429	501	535	569	624	659	730	800	871	941	1014	1085	1189	15
	96	236	310	385	423	460	538	575	613	670	709	785	862	939	1016	1095	1172	1285	16
Pleated Shades	108	249	331	412	453	494	579	619	660	721	763	846	930	1013	1097	1183	1266	1390	18
	120	263	351	439	483	528	619	663	707	772	817	907	997	1087	1178	1270	1361	1494	20
	132	276	371	466	514	561	660	707	755	822	871	968	1065	1162	1259	1358	1455	1599	21
Cellular Shades	144	290	392	493	544	595	700	751	802	873	925	1028	1132	1236	1340	1446	1550	1704	23
	VAL	32	40	48	52	56	64	68	72	76	79	87	95	103	111	119	127	137	
	EXEC	48	59	69	74	79	89	95	100	105	110	120	131	141	151	161	172	185	
Roller Blinds	DBLE	96	117	138	148	158	179	189	199	210	220	241	261	282	302	323	343	371	

ARIANA *Vizcaya

Vertical Blinds	Vrt 3	25	37	50	56	62	75	81	87	94	100	112	125	137	150	162	175	192	Vane
		3/8	7/8	3/8	5/8	7/8	3/8	5/8	7/8	1/8	3/8	7/8	3/8	7/8	3/8	7/8	3/8	0	Only
Pleated Shades	36	185	234	283	308	333	385	410	435	479	505	556	608	659	710	764	815	890	10
	48	204	262	321	350	380	442	471	500	550	580	641	701	762	823	886	947	1036	12
	60	222	290	358	393	427	498	532	566	620	655	725	795	865	935	1008	1078	1181	14
Cellular Shades	72	241	319	396	435	473	554	593	632	690	730	810	889	968	1048	1130	1209	1327	17
	85	261	349	437	480	524	615	659	703	767	811	901	991	1080	1170	1262	1351	1484	19
	96	279	375	471	519	567	667	715	763	831	880	978	1077	1175	1273	1374	1472	1617	22
Roller Blinds	108	297	403	509	561	614	723	776	829	901	955	1063	1170	1278	1385	1496	1603	1763	24
	120	316	431	546	604	661	779	837	894	972	1030	1147	1264	1381	1498	1617	1734	1908	26
	132	335	459	584	646	708	836	898	960	1042	1105	1232	1358	1484	1611	1739	1866	2053	29
Vertical Blinds	144	354	487	621	688	755	892	959	1026	1113	1180	1316	1452	1587	1723	1861	1997	2199	31
	VAL	35	43	52	57	61	70	75	79	84	88	97	106	115	124	133	142	154	
	EXEC	50	61	72	77	83	94	99	105	110	116	127	138	149	160	171	182	197	
PrivacySheer™	DBLE	99	121	143	154	166	188	199	210	221	232	254	276	298	320	342	364	393	

On all items marked F/R, please refer to specific flammability information. The information in these specifications refers to typical performance in the test indicated under laboratory conditions. None of this information warrants performance or guarantees results under actual use conditions. The information is accurate to the best of our knowledge at the time of printing but is not intended to relieve the user from its responsibility to comply with all procedures applicable to the safe use of this product.

Please note:

Some fabrics have patterns in the weave or which are printed or embossed. It is not possible to match these patterns. All patterns are intended to be on a random match basis. At installation, we recommend hang every 3rd vane to ensure that the pattern is random.

Verticals

CORDOVA ICICLE *Bamboo *Provincial

Vrt 4	25 3/8	37 7/8	50 3/8	56 5/8	62 7/8	75 3/8	81 5/8	87 7/8	94 1/8	100 3/8	112 7/8	125 3/8	137 7/8	150 3/8	162 7/8	175 3/8	192 0	Vane Only
36	199	256	312	340	368	428	456	485	533	562	621	679	737	796	857	915	1001	12
48	222	290	358	393	427	498	532	566	620	655	725	795	865	935	1008	1078	1181	14
60	246	325	405	445	485	568	608	647	707	748	830	912	993	1075	1159	1241	1361	17
72	269	360	452	497	543	637	683	729	795	841	935	1028	1121	1214	1310	1404	1542	20
85	294	398	502	554	606	713	765	817	889	942	1048	1154	1260	1366	1474	1580	1737	23
96	315	430	545	602	659	777	834	892	969	1027	1144	1260	1377	1494	1613	1729	1902	26
108	339	465	591	654	717	847	910	973	1056	1120	1249	1377	1505	1633	1764	1892	2082	29
120	362	500	638	707	775	917	986	1054	1143	1213	1353	1493	1633	1773	1915	2055	2263	32
132	385	535	684	759	834	986	1061	1136	1231	1306	1458	1609	1761	1912	2066	2218	2443	35
144	408	570	731	811	892	1056	1137	1217	1318	1399	1563	1726	1889	2052	2217	2380	2623	38
VAL	36	46	56	61	66	76	81	86	91	96	106	115	125	135	145	155	168	
EXEC	51	63	74	80	86	98	103	109	115	121	132	144	156	167	179	191	206	
DBLE	102	125	148	160	172	195	207	218	230	242	265	288	311	335	358	381	412	

CLASSIC *Thrifty

Vrt 10	25 3/8	37 7/8	50 3/8	56 5/8	62 7/8	75 3/8	81 5/8	87 7/8	94 1/8	100 3/8	112 7/8	125 3/8	137 7/8	150 3/8	162 7/8	175 3/8	192 0	Vane Only
36	161	200	239	259	279	321	341	361	399	420	461	502	544	585	628	670	730	7
48	166	209	251	272	293	338	360	381	421	443	487	531	575	619	666	710	774	8
60	172	217	262	285	307	356	378	401	442	466	513	560	607	654	703	750	819	9
72	178	226	274	298	322	373	397	421	464	489	539	588	638	688	740	790	863	10
86	185	236	287	313	339	393	419	444	489	516	569	622	675	728	784	837	915	10
96	189	243	297	324	351	407	434	461	507	535	590	646	701	757	815	871	952	11
108	195	252	308	337	365	425	453	481	529	558	616	675	733	792	852	911	997	12
120	201	260	320	350	379	442	472	501	550	581	642	703	765	826	890	951	1041	12
132	207	269	331	362	394	459	490	521	572	604	668	732	796	860	927	991	1086	13
144	212	278	343	375	408	476	509	541	593	627	694	761	828	895	964	1031	1130	14
VAL	29	36	42	45	48	54	58	61	64	67	73	80	86	92	99	105	113	
EXEC	46	55	65	69	74	83	88	92	97	102	111	120	130	139	148	157	170	
DBLE	92	111	129	139	148	166	176	185	194	203	222	241	259	278	296	315	339	

Revised from Printed Copy

On all items marked F/R, please refer to specific flammability information. The information in these specifications refers to typical performance in the test indicated under laboratory conditions. None of this information warrants performance or guarantees results under actual use conditions. The information is accurate to the best of our knowledge at the time of printing but is not intended to relieve the user from its responsibility to comply with all procedures applicable to the safe use of this product.

Please note:

Some fabrics have patterns in the weave or which are printed or embossed. It is not possible to match these patterns. All patterns are intended to be on a random match basis. At installation, we recommend hang every 3rd vane to ensure that the pattern is random.

Verticals

NEWBRIDGE WYCLIFF SALSA *Chalet *Cosmic *Falkland *Isle *Lisa *Pembroke

General Information	Vrt 11	25	37	50	56	62	75	81	87	94	100	112	125	137	150	162	175	192	Vane Only
		3/8	7/8	3/8	5/8	7/8	3/8	5/8	7/8	1/8	3/8	7/8	3/8	7/8	3/8	7/8	3/8	0	
Aluminum Horizontals	36	191	242	293	318	344	398	424	449	495	522	575	628	681	734	789	842	920	10
	48	202	259	315	344	372	432	460	488	537	566	625	683	742	800	862	920	1006	11
	60	214	276	338	369	400	465	496	527	579	611	675	739	803	867	934	998	1092	13
Parkland Faux Wood Blinds	72	225	292	360	394	427	498	532	566	621	656	725	795	865	934	1006	1076	1179	14
	86	238	312	386	423	460	537	575	612	670	708	784	860	936	1012	1091	1167	1279	16
	96	247	326	404	444	483	565	605	644	704	745	826	906	987	1068	1151	1232	1351	17
Pleated Shades	108	258	342	427	469	511	599	641	683	746	789	876	962	1048	1135	1224	1310	1438	18
	120	269	359	449	494	539	632	677	722	788	834	926	1018	1110	1202	1296	1388	1524	20
	132	280	376	471	519	567	666	713	761	830	879	976	1074	1171	1269	1369	1466	1611	21
Cellular Shades	144	292	393	494	544	595	699	750	800	872	923	1026	1129	1232	1335	1441	1544	1697	23
	VAL	31	38	46	49	53	60	64	68	71	75	82	89	97	104	111	118	128	
	EXEC	47	57	67	72	77	87	92	97	102	107	117	127	137	147	156	166	179	
Roller Blinds	DBLE	95	115	135	144	154	174	184	194	204	214	234	253	273	293	313	333	359	

SW2000 *Klondike

Pleated Shades	Vrt 12	25	37	50	56	62	75	81	87	94	100	112	125	137	150	162	175	192	Vane Only
		3/8	7/8	3/8	5/8	7/8	3/8	5/8	7/8	1/8	3/8	7/8	3/8	7/8	3/8	7/8	3/8	0	
Cellular Shades	36	256	333	411	450	489	570	609	648	710	750	830	910	990	1070	1153	1233	1351	16
	48	281	371	462	507	552	646	691	736	805	852	944	1037	1130	1222	1318	1410	1547	20
	60	306	409	512	564	615	722	774	825	900	953	1058	1164	1269	1374	1482	1588	1744	23
Roller Blinds	72	332	447	563	621	679	798	856	914	995	1054	1172	1290	1408	1526	1647	1765	1940	26
	86	361	492	622	687	753	887	952	1017	1106	1173	1305	1438	1571	1704	1839	1972	2169	30
	96	382	523	664	735	805	950	1021	1091	1185	1257	1400	1544	1687	1830	1977	2120	2333	32
Vertical Blinds	108	408	561	715	792	869	1026	1103	1180	1280	1358	1514	1670	1826	1982	2141	2297	2529	35
	120	433	599	766	849	932	1102	1185	1269	1375	1460	1628	1797	1966	2134	2306	2475	2725	39
	132	458	637	816	906	995	1178	1268	1357	1470	1561	1742	1924	2105	2286	2471	2652	2922	42
PrivacySheer™	144	484	675	867	963	1059	1254	1350	1446	1565	1662	1856	2050	2244	2438	2635	2829	3118	45
	VAL	36	45	55	59	64	74	79	83	88	93	102	112	121	131	140	150	163	
	EXEC	50	62	73	79	85	96	102	107	113	119	130	142	153	164	176	187	202	
Vertical Blinds	DBLE	101	124	147	158	169	192	204	215	226	238	261	283	306	329	352	375	405	

On all items marked F/R, please refer to specific flammability information. The information in these specifications refers to typical performance in the test indicated under laboratory conditions. None of this information warrants performance or guarantees results under actual use conditions. The information is accurate to the best of our knowledge at the time of printing but is not intended to relieve the user from its responsibility to comply with all procedures applicable to the safe use of this product.

Please note:

Some fabrics have patterns in the weave or which are printed or embossed. It is not possible to match these patterns. All patterns are intended to be on a random match basis. At installation, we recommend hang every 3rd vane to ensure that the pattern is random.

PrivacySheer™

PrivacySheer™

The **Jackson PrivacySheer™** is available in most of the wide width sheer fabrics from our line. It is also still available in most narrow width sheer fabrics as well.

Pattern Match

Most fabrics used are wide width which are made "railroaded" where the width of the fabric is used for the length of the treatment. This provides seamless coverage with no automatic pattern matching.

It is critical to the appearance of a PrivacySheer™ made from narrow width fabrics that the seams be hidden. The best place for seams is at the back of the vane so that they are out of view when the blind is rotated open, and completely hidden when the vane is rotated closed. Even when the vane is rotated open, this is a point where there is a natural break in appearance as the fabric is in transition from the PVC backing to an open section. This gives the appearance of it being seamless.

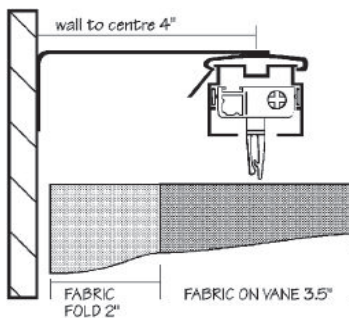
In order to place the seams precisely in the correct position, we may have to trim the width of the panels of fabric going into the finished product. Due to this, we are unable to provide a full pattern match on the fabrics. We are trimming the width of the fabric sections only, so we can still vertically align the patterns. For example, a large floral will occur at the same height position in the PrivacySheer™ across several widths of fabric, but the pattern may not line up right at the seam line.

Please note that printed fabrics with medium to large scale designs may appear quite different across the width as different colours come to the front at each vane.

Hidden side hem feature on PrivacySheer™

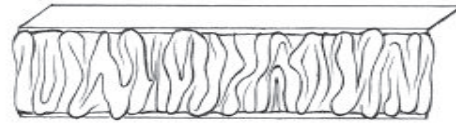
The side hems are wrapped around the back side of the end vanes. There have been technical changes to the inside of the headrail to allow for this added feature. This wonderful advancement improves the finished look of the product, and is available on either one-way or centre split applications.

PrivacySheer™ on Projection Bracket



The fabric fold occurs when the product is stacked to the side. It is much smaller when the PrivacySheer™ is covering the window.

Pouf Valance

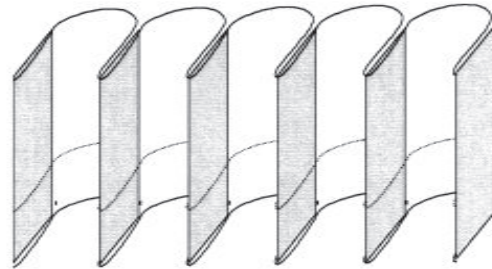


The Pouf valance has been designed to hide seams in the fabric that would have normally been visible on the PrivacySheer™ regular valance. The Pouf valance will add a new sense of style and elegance to any decor.

End returns can be added to a wall mount valance. The valance must be ordered at the same time as the PrivacySheer™ or Mystic Sheer™ or surcharges will apply.

The Pouf valance is the same price as the regular valance.

Floating Hem



The floating hem option is available on our Privacy Sheer™. The 4" bottom hem is tacked at the back, creating an open bottom pocket that the slat slips into. Maximum length for this option is 102" for most wide width fabrics. NOTE: Not available on a Mystic Sheer™.

General Information

Aluminum Horizontals

Parkland Faux Wood Blinds

Pleated Shades

Cellular Shades

Roller Blinds

Vertical Blinds

PrivacySheer™

PrivacySheer™

ICICLE

ICICLE is a clear, textured slat which provides a translucent base rather than an opaque one. This creates a fantastic new look for these two product lines.

ICICLE is a premium price over the standard charts.

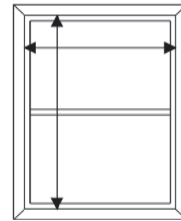


Measuring Information

Please submit the exact sizes: we will not make any deductions!

Tolerance on width is +/- 1/8" and length is +/- 1/4".

As a **Jackson PrivacySheer™** is a specialty drapery treatment, it does require special attention at installation. In addition to the normal installation tools, a professional steamer and training clips or clothes pins are often required. A complete installation instruction is sent with each purchase and is also available in advance from your nearest Jackson Distribution Centre. **Professional Installation is highly recommended.**



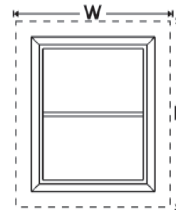
Inside Mount

Width

Measure the smallest inside width and subtract 3/8" for headrail clearance. Please note that on inside mounts, there is a gap on both sides which occurs when the vanes are rotated open. Overdrapes should be considered.

Length

Measure the inside length and deduct a minimum of 3/4" for operational clearance. (1 1/8" if you have a valance)



Outside Mount

Width

Supply the exact width for the blind. You should allow enough stack space to maximize your window opening. A minimum of 8" on each side is preferable.

Length

Measure from the top of the rail to the bottom of the vanes.

Heating units can cause severe damage to most vertical louvers. Please ensure that additional clearance is allowed. Electric baseboard heaters cause the worst problems.

Please allow a minimum clearance of 20" above & 8" in front

General Information

Aluminum Horizontals

Parkland Faux Wood Blinds


Pleated Shades

Cellular Shades

Roller Blinds

Vertical Blinds

PrivacySheer™



WARNING

Young children can STRANGLE in cord and bead chain loops. They can also wrap cords around their necks and STRANGLE.

- Always keep cords and bead chains out of children's reach.
- Move cribs, playpens, and other furniture away from cords and bead chains. Children can climb furniture to get to cords.
- Do not tie cords together. Make sure cords do not twist together and create a loop.
- Attach tension device to wall or floor. This can prevent children from pulling cords and bead chains around their necks.

For more safety information: 1-866-662-0666

PrivacySheer™

Vertical Order Form (Download from www.jackson.ca)

Vertical PrivacySheer™ Mystic Sheer™

QTY	WIDTH	LENGTH	PATTERN & COLOUR	DRAW Right Left Centre <i>see note</i>	CTRL Right Left	MOUNT Wall* Ceiling Projection	BOTTOM Metal* Chainless Keyhole No Keyhole* PrivacySheer Standard Floating	VAL Yes No Exec/Trim Dbl/Trim	E/R Yes No (size)	PRICE

We recommend one way draw for all PrivacySheer™ and MysticSheer applications.

Qty

Fill in the number of identical blinds that are required.

Width

Fill in the exact width in inches that is required. This should be after deductions have been made and is the exact rail width.

Length

Fill in the exact length in inches that is required. This is the final length from the top of the headrail to the bottom of the vanes.

Pattern & Colour

Fill in the fabric pattern and colour.

Draw

Fill in "R" for right stack (one way draw); fill in "L" for left stack (one way draw); or fill in "C" for center split verticals. We recommend one way draw for best appearance on all PrivacySheer and MysticSheer applications. Center split are available, but have a gap in the centre. Carriers are configured to minimize the gap by butting up to each other.

Control

Fill in the side that you want the control on. Use "R" for the right hand side and "L" for the left hand side.

Standard Cord and Chain Drops

Chain Drop

up to 72" Long
Over 72" Long

1/2 of length (Min 12")
length less 48"

Cords are a continuous loop, with a clamping tension device attached, and made 3/4 of blind length. Chains are cut with a bell tassel on each end. Special chain/cord lengths are available on request. The chain drop is measured from the top of the headrail to the bottom point on the chain when the vanes are open. The chain traverses approximately 8" in each position from that midway point. All sizes are approximate.

Mount

Fill in the type of brackets that you require for this vertical blind or MysticSheer. Use "C" for ceiling clip, use "W" for wall bracket, and use "P" for projection bracket. PrivacySheer must use "P".

Bottom

Verticals in soft vanes choose from Metal bottom chain or Chainless.

Verticals in hard vanes choose Keyhole or No. (We recommend "no")

PrivacySheer and MysticSheer choose between Standard and Floating.

Valance

Fill in the type of valance required. Use "Y" for regular valance, "N" for no valance, "E" followed by the trim colour number for executive valance, or "D" followed by the trim colour number for double executive valance. See page 50 for more details. Use "P" for Pouf valance.

End Return

Fill in "Y" for standard 4 3/4" end returns, "N" for no end returns, or fill in the desired end return size.

Standard End Returns

Vertical	4.75"
PrivacySheer™	6"
Mystic Sheer™	4.75"

Price

Optional, fill in the retail price.



Cut Chain



Safety Device

The chain is no longer in a continuous loop but has matching tassels at the ends. This eliminates the need to have the chain secured by a safety device. The cord still is placed inside a safety device, which must be secured to the wall. The safety device is the same as the one used in roller blind production, which locks onto the cord until it is installed.

PrivacySheer™

Add-on for ICICLE vanes

NOTE: Plain PVC used in valance insert

	22.25	34.75	47.25	59.75	72.25	84.75	97.25	109.75	122.25	134.75	153.5	172.25	191.00
36	19	31	41	51	61	71	82	92	103	112	128	144	159
48	27	40	55	69	83	96	111	125	138	151	172	193	215
60	35	51	69	88	104	121	139	157	174	191	219	244	270
72	41	62	84	105	126	147	168	189	210	231	262	293	325
84	49	73	97	123	147	171	196	223	248	270	306	344	381
96	56	84	112	140	168	196	225	250	281	310	352	393	436
102	59	93	119	149	180	210	239	269	299	330	374	419	464
108	62	99	126	158	192	221	254	286	318	348	397	445	491

OneWay Draw		
Width	Vanes	Stack
12.875	4	5.5
16.000	5	6.0
19.125	6	6.5
22.250	7	7.0
25.375	8	7.5
28.500	9	8.0
31.625	10	8.5
34.750	11	9.0
37.875	12	9.5
41.000	13	10.0
44.125	14	10.5
47.250	15	11.0
50.375	16	11.5
53.500	17	12.0
56.625	18	12.5
59.750	19	13.0
62.875	20	13.5
66.000	21	14.0
69.125	22	14.5
72.250	23	15.0
75.375	24	15.5
78.500	25	16.0
81.625	26	16.5
84.750	27	17.0
87.875	28	17.5
91.000	29	18.0
94.125	30	18.5
97.250	31	19.0
100.375	32	19.5
103.500	33	20.0

OneWay Draw		
Width	Vanes	Stack
106.625	34	20.5
109.750	35	21.0
112.875	36	21.5
116.000	37	22.0
119.125	38	22.5
122.250	39	23.0
125.375	40	23.5
128.500	41	24.0
131.625	42	24.5
134.750	43	25.0
137.875	44	25.5
141.000	45	26.0
144.125	46	26.5
147.250	47	27.0
150.375	48	27.5
153.500	49	28.0
156.625	50	28.5
159.750	51	29.0
162.875	52	29.5
166.000	53	30.0
169.125	54	30.5
172.250	55	31.0
175.375	56	31.5
178.500	57	32.0
181.625	58	32.5
184.750	59	33.0
187.875	60	33.5
191.000	61	34.0

Centre Draw		
Width	Vanes	Stack
9.750	4	5.5
16.000	6	6.5
22.250	8	7.5
28.500	10	8.5
34.750	12	9.5
41.000	14	10.5
47.250	16	11.5
53.500	18	12.5
59.750	20	13.5
66.000	22	14.5
72.250	24	15.5
78.500	26	16.5
84.750	28	17.5
91.000	30	18.5
97.250	32	19.5
103.500	34	20.5
109.750	36	21.5
116.000	38	22.5
122.250	40	23.5
128.500	42	24.5
134.750	44	25.5
141.000	46	26.5
147.250	48	27.5
153.500	50	28.5
159.750	52	29.5
166.000	54	30.5
172.250	56	31.5
178.500	58	32.5
184.750	60	33.5
191.000	62	34.5

PrivacySheer™

PATTERN	GROUP
Amiens	6
Amour	5
Anvers	6
Baxter	1
Bonne	4
Chaumont	6
Dieppe	6
Liberte	4
Lourve	7
Lumiere	2
Maille	6
Metro	6
Montmarte	6
Moulin	7
Nimes	6

PATTERN	GROUP
Orleans	6
Reims	7
Seine	6
Sorbonne	6
Souffle	3
Souhait	6
Splendid	1
Swell	1
Tisser	6
Toulouse	7
Vendome	8

Baxter, Splendid, Swell

Prv 1	22.25	34.75	47.25	59.75	72.25	84.75	97.25	109.75	122.25	134.75	153.50	172.25	191.00
36	428	522	616	714	808	895	1,002	1,100	1,229	1,327	1,471	1,615	1,763
48	436	534	632	734	832	923	1,035	1,136	1,269	1,371	1,521	1,671	1,825
60	444	546	649	754	856	951	1,067	1,172	1,309	1,415	1,571	1,728	1,887
72	452	558	665	774	880	979	1,099	1,208	1,350	1,459	1,621	1,784	1,950
84	460	571	681	794	904	1,007	1,131	1,244	1,390	1,503	1,672	1,840	2,012
96	468	583	697	814	928	1,036	1,163	1,280	1,430	1,547	1,722	1,896	2,074
102	473	589	705	824	940	1,050	1,179	1,299	1,450	1,569	1,747	1,925	2,105
108	541	662	784	909	1,031	1,146	1,281	1,406	1,563	1,688	1,874	2,060	2,249
VAL	56	61	66	71	77	82	87	92	97	103	110	118	126
EXEC	75	85	95	105	115	124	134	144	154	164	179	193	208
DBLE	150	170	190	210	230	248	268	288	308	328	358	386	416

Lumiere

Prv 2	22.25	34.75	47.25	59.75	72.25	84.75	97.25	109.75	122.25	134.75	153.50	172.25	191.00
36	524	652	780	911	1,039	1,160	1,301	1,433	1,596	1,727	1,922	2,117	2,316
48	532	664	796	931	1,063	1,188	1,333	1,469	1,636	1,771	1,972	2,174	2,378
60	540	676	812	951	1,087	1,216	1,366	1,505	1,676	1,815	2,023	2,230	2,440
72	548	688	828	971	1,111	1,244	1,398	1,541	1,716	1,860	2,073	2,286	2,503
84	556	700	844	991	1,135	1,272	1,430	1,577	1,756	1,904	2,123	2,342	2,565
96	564	712	860	1,011	1,159	1,301	1,462	1,613	1,797	1,948	2,173	2,399	2,627
102	568	718	868	1,021	1,171	1,315	1,478	1,631	1,817	1,970	2,198	2,427	2,658
108	636	792	947	1,106	1,262	1,411	1,580	1,739	1,930	2,088	2,325	2,562	2,802
VAL	56	61	66	71	77	82	87	92	97	103	110	118	126
EXEC	75	85	95	105	115	124	134	144	154	164	179	193	208
DBLE	150	170	190	210	230	248	268	288	308	328	358	386	416

Valance Prices are applicable when ordered with the full treatment. If ordered separately or in a different fabric, surcharges would apply.

PrivacySheer™

Souffle

General Information	Prv 3	22.25	34.75	47.25	59.75	72.25	84.75	97.25	109.75	122.25	134.75	153.50	172.25	191.00
Aluminum Horizontals	36	579	722	865	1,011	1,154	1,290	1,446	1,592	1,770	1,916	2,133	2,351	2,571
	48	587	734	881	1,031	1,178	1,318	1,478	1,628	1,810	1,960	2,183	2,407	2,634
	60	595	746	897	1,051	1,202	1,346	1,510	1,664	1,850	2,004	2,234	2,463	2,696
	72	603	758	913	1,071	1,226	1,374	1,542	1,700	1,890	2,048	2,284	2,519	2,758
	84	612	770	929	1,091	1,250	1,402	1,574	1,736	1,930	2,093	2,334	2,576	2,820
	96	620	782	945	1,111	1,274	1,430	1,606	1,772	1,971	2,137	2,384	2,632	2,883
	102	624	788	953	1,121	1,286	1,444	1,622	1,790	1,991	2,159	2,409	2,660	2,914
	108	692	862	1,032	1,206	1,376	1,540	1,724	1,898	2,104	2,277	2,536	2,795	3,057
Parkland Faux Wood Blinds	VAL	56	61	66	71	77	82	87	92	97	103	110	118	126
	EXEC	75	85	95	105	115	124	134	144	154	164	179	193	208
	DBLE	150	170	190	210	230	248	268	288	308	328	358	386	416

Liberte, Bonne, Vichy

Cellular Shades	Prv 4	22.25	34.75	47.25	59.75	72.25	84.75	97.25	109.75	122.25	134.75	153.50	172.25	191.00
Roller Blinds	36	614	770	926	1,085	1,241	1,390	1,559	1,718	1,910	2,069	2,306	2,543	2,784
	48	622	782	942	1,105	1,265	1,418	1,591	1,754	1,950	2,113	2,356	2,599	2,846
	60	630	794	958	1,125	1,289	1,446	1,623	1,791	1,990	2,157	2,406	2,656	2,908
	72	638	806	974	1,145	1,313	1,474	1,655	1,827	2,030	2,201	2,457	2,712	2,970
	84	646	818	990	1,165	1,337	1,502	1,688	1,863	2,070	2,245	2,507	2,768	3,033
	96	654	830	1,006	1,185	1,361	1,530	1,720	1,899	2,110	2,290	2,557	2,824	3,095
	102	658	836	1,014	1,195	1,373	1,544	1,736	1,917	2,130	2,312	2,582	2,852	3,126
	108	726	910	1,093	1,280	1,464	1,641	1,837	2,024	2,243	2,430	2,709	2,988	3,270
Vertical Blinds	VAL	56	61	66	71	77	82	87	92	97	103	110	118	126
	EXEC	75	85	95	105	115	124	134	144	154	164	179	193	208
	DBLE	150	170	190	210	230	248	268	288	308	328	358	386	416

*Valance Prices are applicable when ordered with the full treatment. If ordered separately or in a different fabric, surcharges would apply.

PrivacySheer™

Amour, Montpellier

Prv 5	22.25	34.75	47.25	59.75	72.25	84.75	97.25	109.75	122.25	134.75	153.50	172.25	191.00
36	671	848	1,025	1,206	1,383	1,553	1,744	1,924	2,137	2,318	2,587	2,856	3,128
48	679	860	1,042	1,226	1,407	1,582	1,776	1,961	2,178	2,362	2,637	2,913	3,191
60	687	873	1,058	1,246	1,432	1,610	1,809	1,997	2,218	2,407	2,688	2,969	3,254
72	695	885	1,074	1,267	1,456	1,639	1,841	2,034	2,259	2,451	2,739	3,026	3,317
84	704	897	1,090	1,287	1,480	1,667	1,874	2,070	2,299	2,496	2,789	3,083	3,379
96	712	909	1,106	1,307	1,504	1,695	1,906	2,107	2,340	2,541	2,840	3,139	3,442
102	716	915	1,115	1,317	1,517	1,709	1,922	2,125	2,360	2,563	2,865	3,168	3,474
108	784	989	1,194	1,403	1,608	1,806	2,025	2,233	2,474	2,682	2,993	3,304	3,618
VAL	56	61	66	71	77	82	87	92	97	103	110	118	126
EXEC	75	85	95	105	115	124	134	144	154	164	179	193	208
DBLE	150	170	190	210	230	248	268	288	308	328	358	386	416

General Information

Aluminum Horizontals

Parkland Faux Wood Blinds

Pleated Shades

Amiens, Anvers, Chaumont, Dieppe, Maille, Metro, Montmarte, Nimes, Orleans, Seine, Sorbonne, Souhait Tisser,

Prv 6	22.25	34.75	47.25	59.75	72.25	84.75	97.25	109.75	122.25	134.75	153.50	172.25	191.00
36	723	920	1,117	1,318	1,515	1,705	1,916	2,116	2,349	2,549	2,848	3,147	3,449
48	731	933	1,134	1,338	1,539	1,734	1,948	2,153	2,389	2,594	2,899	3,204	3,512
60	740	945	1,150	1,358	1,563	1,762	1,980	2,189	2,430	2,638	2,949	3,260	3,575
72	748	957	1,166	1,379	1,588	1,790	2,013	2,225	2,470	2,683	3,000	3,317	3,638
84	756	969	1,182	1,399	1,612	1,819	2,045	2,262	2,511	2,727	3,051	3,374	3,700
96	764	981	1,198	1,419	1,636	1,847	2,078	2,298	2,551	2,772	3,101	3,431	3,763
102	768	987	1,207	1,429	1,649	1,861	2,094	2,317	2,572	2,794	3,127	3,459	3,795
108	836	1,061	1,286	1,515	1,740	1,958	2,196	2,425	2,685	2,914	3,255	3,595	3,940
VAL	56	61	66	71	77	82	87	92	97	103	110	118	126
EXEC	75	85	95	105	115	124	134	144	154	164	179	193	208
DBLE	150	170	190	210	230	248	268	288	308	328	358	386	416

Cellular Shades

Roller Blinds

Vertical Blinds

PrivacySheer™

*Valance Prices are applicable when ordered with the full treatment. If ordered separately or in a different fabric, surcharges would apply.

PrivacySheer™

Lourvre, Moulin, Reims, Toulouse, Versailles, Violay,

General Information	Prv 7	22.25	34.75	47.25	59.75	72.25	84.75	97.25	109.75	122.25	134.75	153.50	172.25	191.00
	36	776	993	1,210	1,430	1,647	1,857	2,087	2,308	2,560	2,781	3,109	3,438	3,770
	48	784	1,005	1,226	1,450	1,671	1,885	2,120	2,344	2,601	2,825	3,160	3,495	3,833
	60	792	1,017	1,242	1,470	1,695	1,914	2,152	2,381	2,641	2,870	3,211	3,552	3,896
Aluminum Horizontals	72	800	1,029	1,258	1,490	1,720	1,942	2,185	2,417	2,682	2,914	3,261	3,608	3,959
	84	808	1,041	1,274	1,511	1,744	1,970	2,217	2,453	2,722	2,959	3,312	3,665	4,021
	96	816	1,053	1,291	1,531	1,768	1,999	2,249	2,490	2,763	3,003	3,363	3,722	4,084
	102	820	1,059	1,299	1,541	1,780	2,013	2,266	2,508	2,783	3,026	3,388	3,750	4,116
	108	889	1,134	1,379	1,627	1,872	2,110	2,368	2,616	2,897	3,145	3,516	3,887	4,261
Parkland Faux Wood Blinds	VAL	56	61	66	71	77	82	87	92	97	103	110	118	126
	EXEC	75	85	95	105	115	124	134	144	154	164	179	193	208
	DBLE	150	170	190	210	230	248	268	288	308	328	358	386	416

Vendome

Cellular Shades	Prv 8	22.25	34.75	47.25	59.75	72.25	84.75	97.25	109.75	122.25	134.75	153.50	172.25	191.00
	36	845	1,089	1,332	1,579	1,823	2,059	2,316	2,563	2,842	3,089	3,458	3,826	4,198
	48	853	1,101	1,348	1,599	1,847	2,088	2,349	2,600	2,883	3,134	3,508	3,883	4,261
	60	861	1,113	1,365	1,620	1,871	2,116	2,381	2,636	2,923	3,178	3,559	3,940	4,324
Roller Blinds	72	869	1,125	1,381	1,640	1,895	2,144	2,413	2,673	2,964	3,223	3,610	3,997	4,387
	84	878	1,137	1,397	1,660	1,920	2,173	2,446	2,709	3,004	3,267	3,660	4,053	4,449
	96	886	1,149	1,413	1,680	1,944	2,201	2,478	2,745	3,045	3,312	3,711	4,110	4,512
	102	890	1,156	1,421	1,690	1,956	2,215	2,495	2,764	3,065	3,334	3,736	4,138	4,544
	108	958	1,230	1,501	1,776	2,047	2,312	2,597	2,872	3,179	3,454	3,864	4,275	4,689
Vertical Blinds	VAL	56	61	66	71	77	82	87	92	97	103	110	118	126
	EXEC	75	85	95	105	115	124	134	144	154	164	179	193	208
	DBLE	150	170	190	210	230	248	268	288	308	328	358	386	416

PrivacySheer™ narrow width sheers

Charleroi, Dusk, Swindon

Prv 20	22.25	34.75	47.25	59.75	72.25	84.75	97.25	109.75	122.25	134.75	153.50	172.25	191.00
36	491	592	693	769	870	964	1,078	1,182	1,261	1,365	1,506	1,674	1,818
48	518	632	745	825	939	1,046	1,172	1,289	1,373	1,489	1,645	1,837	1,995
60	545	672	798	882	1,008	1,128	1,267	1,397	1,484	1,614	1,784	1,999	2,172
72	572	711	850	938	1,077	1,209	1,362	1,504	1,595	1,738	1,922	2,161	2,349
84	599	751	903	995	1,146	1,291	1,456	1,612	1,707	1,862	2,061	2,324	2,526
96	626	791	955	1,051	1,215	1,373	1,551	1,719	1,818	1,986	2,200	2,486	2,703
102	640	811	982	1,079	1,250	1,414	1,599	1,773	1,874	2,048	2,269	2,567	2,792
108	721	905	1,090	1,196	1,380	1,558	1,755	1,943	2,053	2,240	2,480	2,800	3,042
120	804	1,001	1,198	1,308	1,505	1,695	1,906	2,106	2,220	2,420	2,674	3,018	3,274
Pouf	60	72	85	93	105	118	131	143	151	163	180	201	218
Exec	68	85	102	114	131	148	165	182	194	211	235	263	286
Dble	135	170	204	228	262	296	330	365	389	423	469	526	572

Please note that a PrivacySheer™ made from narrow width fabrics will have vertical seams in the fabric.

Arno, Cancun, Capilano, Cezanne, Degas, Formosa, Jordan, Peony, Renoir, Severn

Prv 21	22.25	34.75	47.25	59.75	72.25	84.75	97.25	109.75	122.25	134.75	153.50	172.25	191.00
36	580	708	837	918	1,047	1,169	1,311	1,442	1,527	1,659	1,830	2,052	2,226
48	608	751	893	979	1,121	1,256	1,412	1,558	1,647	1,792	1,979	2,226	2,416
60	637	793	949	1,039	1,195	1,344	1,513	1,673	1,766	1,925	2,128	2,400	2,605
72	666	836	1,005	1,100	1,269	1,432	1,615	1,788	1,885	2,058	2,277	2,573	2,795
84	695	879	1,062	1,160	1,343	1,520	1,716	1,903	2,005	2,191	2,425	2,747	2,985
96	724	921	1,118	1,220	1,417	1,608	1,818	2,018	2,124	2,324	2,574	2,921	3,174
102	739	942	1,146	1,251	1,454	1,651	1,869	2,076	2,183	2,391	2,648	3,008	3,269
108	826	1,044	1,262	1,376	1,594	1,805	2,037	2,258	2,375	2,597	2,874	3,257	3,537
120	914	1,146	1,378	1,496	1,728	1,953	2,198	2,433	2,554	2,789	3,082	3,491	3,787
Pouf	60	72	85	93	105	118	131	143	151	163	180	201	218
Exec	68	85	102	114	131	148	165	182	194	211	235	263	286
Dble	135	170	204	228	262	296	330	365	389	423	469	526	572

Please note that a PrivacySheer™ made from narrow width fabrics will have vertical seams in the fabric.

*Valance Prices are applicable when ordered with the full treatment. If ordered separately or in a different fabric, surcharges would apply. All valances on PrivacySheer™ from narrow width must be "Pouf" Style.

General Information
Aluminum Horizontals
Parkland Faux Wood Blinds
Pleated Shades
Cellular Shades
Roller Blinds
Vertical Blinds
PrivacySheer™

PrivacySheer™ narrow width sheers

Belize, Dahlia

General Information	Prv 22	22.25	34.75	47.25	59.75	72.25	84.75	97.25	109.75	122.25	134.75	153.50	172.25	191.00
	36	618	765	913	994	1,142	1,283	1,444	1,595	1,680	1,831	2,021	2,280	2,473
	48	654	819	984	1,069	1,234	1,392	1,571	1,739	1,828	1,996	2,206	2,498	2,710
	60	690	872	1,054	1,144	1,326	1,502	1,698	1,883	1,976	2,162	2,391	2,715	2,947
Aluminum Horizontals	72	726	926	1,125	1,219	1,419	1,612	1,824	2,027	2,125	2,327	2,576	2,933	3,184
	84	762	979	1,196	1,294	1,511	1,721	1,951	2,171	2,273	2,493	2,761	3,150	3,421
	96	799	1,033	1,267	1,369	1,603	1,831	2,078	2,315	2,421	2,659	2,946	3,368	3,658
	102	817	1,059	1,302	1,407	1,649	1,885	2,141	2,388	2,495	2,741	3,038	3,476	3,776
	108	908	1,166	1,425	1,539	1,798	2,050	2,322	2,584	2,702	2,964	3,282	3,747	4,068
	120	1,003	1,279	1,555	1,674	1,950	2,219	2,509	2,788	2,910	3,189	3,526	4,024	4,364
Parkland Faux Wood Blinds	Pouf	64	78	93	100	115	130	144	159	167	181	200	225	244
	Exec	72	91	110	122	141	160	179	198	210	229	254	287	312
	Dble	143	181	220	243	282	320	358	396	420	458	509	573	623

Please note that a PrivacySheer™ made from narrow width fabrics will have vertical seams in the fabric.

Baja, Cassast, Delaware, Virginia

Cellular Shades	Prv 23	22.25	34.75	47.25	59.75	72.25	84.75	97.25	109.75	122.25	134.75	153.50	172.25	191.00
	36	637	794	951	1,033	1,190	1,340	1,511	1,671	1,756	1,916	2,116	2,394	2,597
	48	676	853	1,029	1,115	1,291	1,460	1,650	1,830	1,919	2,098	2,319	2,634	2,858
	60	716	912	1,107	1,197	1,392	1,581	1,790	1,988	2,082	2,280	2,522	2,873	3,118
Roller Blinds	72	756	971	1,185	1,279	1,494	1,701	1,929	2,147	2,244	2,462	2,725	3,112	3,379
	84	796	1,029	1,263	1,361	1,595	1,822	2,069	2,306	2,407	2,644	2,929	3,351	3,639
	96	836	1,088	1,341	1,444	1,696	1,942	2,208	2,464	2,570	2,826	3,132	3,591	3,899
	102	856	1,118	1,380	1,485	1,747	2,002	2,278	2,544	2,651	2,917	3,233	3,710	4,030
	108	948	1,228	1,507	1,621	1,900	2,173	2,465	2,748	2,865	3,148	3,486	3,992	4,333
	120	1,048	1,346	1,644	1,763	2,061	2,353	2,664	2,966	3,087	3,389	3,748	4,291	4,653
Vertical Blinds	Pouf	66	81	97	104	120	136	151	167	174	190	209	237	256
	Exec	74	94	114	126	146	166	186	206	218	238	264	298	324
	Dble	147	187	227	251	292	332	372	412	436	476	528	597	649

Please note that a PrivacySheer™ made from narrow width fabrics will have vertical seams in the fabric.

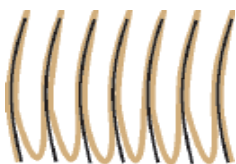
*Valance Prices are applicable when ordered with the full treatment. If ordered separately or in a different fabric, surcharges would apply. All valances on PrivacySheer™ from narrow width must be "Pouf" Style.

Mystic Sheer™

Mystic Sheer™

This product is similar to our original PrivacySheer™, but it has reduced fullness. On the newest version, the fabric is only applied half-way back. This serves two purposes:

1. It reduces the amount of fabric used, and therefore reduces the price typically between 10% and 20%.

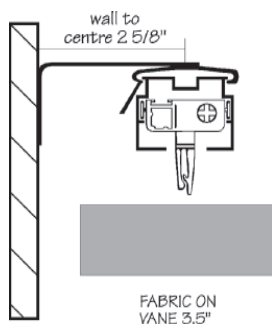


Stacked back, the fabric folds to the back of the vane.



2. It allows us to reduce the projection required from a wall because now the fabric fold occurs within the width of the PVC vanes, not behind the vanes.

Mystic Sheer™ on Regular Bracket



Pouf Valance



The Pouf valance has been designed to hide seams in the fabric. The Pouf valance will add a new sense of style and elegance to any decor.

End returns can be added to a wall mount valance.

The valance must be ordered at the same time as the Mystic Sheer™, or surcharges will apply.

ICICLE

ICICLE is a clear, textured slat which provides a translucent base rather than an opaque one. This creates a fantastic new look for these two product lines.

ICICLE is a premium price over the standard charts.



Hidden hem feature on Mystic Sheer™

We've altered our manufacturing process on our Mystic Sheer™ to hide the side hems. The side hems are now wrapped around the back side of the end vanes. There have been technical changes to the inside of the headrail to allow for this added feature. This wonderful advancement improves the finished look of the product, and is available on either one-way or centre split applications.

Extra Parts

Replacement Fabric Only

Use Mystic Sheer™ Price Group and deduct Vertical Price Group 0

Replacement PVC Vanes

Use Vertical Price Group 0 (vanes only section) plus **4.00** per vane

Make sure that you specify that the vane needs to have the velcro when you order.

General Information

Aluminum Horizontals

Parkland Faux Wood Blinds

Pleated Shades

Cellular Shades

Roller Blinds

Vertical Blinds

PrivacySheer™

Mystic Sheer™

Add-on for ICICLE vanes

NOTE: Plain PVC used in valance insert

	22.25	34.75	47.25	59.75	72.25	84.75	97.25	109.75	122.25	134.75	153.5	172.25	191.00
36	19	31	41	51	61	71	82	92	103	112	128	144	159
48	27	40	55	69	83	96	111	125	138	151	172	193	215
60	35	51	69	88	104	121	139	157	174	191	219	244	270
72	41	62	84	105	126	147	168	189	210	231	262	293	325
84	49	73	97	123	147	171	196	223	248	270	306	344	381
96	56	84	112	140	168	196	225	250	281	310	352	393	436
102	59	93	119	149	180	210	239	269	299	330	374	419	464
108	62	99	126	158	192	221	254	286	318	348	397	445	491

OneWay Draw		
Width	Vanes	Stack
12.875	4	5.5
16.000	5	6.0
19.125	6	6.5
22.250	7	7.0
25.375	8	7.5
28.500	9	8.0
31.625	10	8.5
34.750	11	9.0
37.875	12	9.5
41.000	13	10.0
44.125	14	10.5
47.250	15	11.0
50.375	16	11.5
53.500	17	12.0
56.625	18	12.5
59.750	19	13.0
62.875	20	13.5
66.000	21	14.0
69.125	22	14.5
72.250	23	15.0
75.375	24	15.5
78.500	25	16.0
81.625	26	16.5
84.750	27	17.0
87.875	28	17.5
91.000	29	18.0
94.125	30	18.5
97.250	31	19.0
100.375	32	19.5

OneWay Draw		
Width	Vanes	Stack
103.500	33	20.0
106.625	34	20.5
109.750	35	21.0
112.875	36	21.5
116.000	37	22.0
119.125	38	22.5
122.250	39	23.0
125.375	40	23.5
128.500	41	24.0
131.625	42	24.5
134.750	43	25.0
137.875	44	25.5
141.000	45	26.0
144.125	46	26.5
147.250	47	27.0
150.375	48	27.5
153.500	49	28.0
156.625	50	28.5
159.750	51	29.0
162.875	52	29.5
166.000	53	30.0
169.125	54	30.5
172.250	55	31.0
175.375	56	31.5
178.500	57	32.0
181.625	58	32.5
184.750	59	33.0
187.875	60	33.5
191.000	61	34.0

Centre Draw		
Width	Vanes	Stack
9.750	4	5.5
16.000	6	6.5
22.250	8	7.5
28.500	10	8.5
34.750	12	9.5
41.000	14	10.5
47.250	16	11.5
53.500	18	12.5
59.750	20	13.5
66.000	22	14.5
72.250	24	15.5
78.500	26	16.5
84.750	28	17.5
91.000	30	18.5
97.250	32	19.5
103.500	34	20.5
109.750	36	21.5
116.000	38	22.5
122.250	40	23.5
128.500	42	24.5
134.750	44	25.5
141.000	46	26.5
147.250	48	27.5
153.500	50	28.5
159.750	52	29.5
166.000	54	30.5
172.250	56	31.5
178.500	58	32.5
184.750	60	33.5
191.000	62	34.5

Mystic Sheer™

Baxter, Splendid, Swell

MYS 1	22.25	34.75	47.25	59.75	72.25	84.75	97.25	109.75	122.25	134.75	153.50	172.25	191.00
36	371	451	531	614	694	768	861	944	1,031	1,114	1,238	1,361	1,488
48	381	465	549	636	720	797	895	982	1,073	1,160	1,289	1,419	1,551
60	390	478	566	657	746	827	928	1,020	1,114	1,206	1,341	1,476	1,615
72	400	492	584	679	771	856	962	1,057	1,156	1,251	1,393	1,534	1,679
84	409	505	601	701	797	886	995	1,095	1,197	1,297	1,444	1,592	1,742
96	419	519	619	722	822	916	1,029	1,132	1,239	1,342	1,496	1,649	1,806
102	424	526	628	733	835	930	1,046	1,151	1,260	1,365	1,522	1,678	1,838
108	475	583	690	801	909	1,010	1,131	1,242	1,356	1,467	1,632	1,797	1,965
VAL	56	61	66	71	77	82	87	92	97	103	110	118	126
EXEC	75	85	95	105	115	124	134	144	154	164	179	193	208
DBLE	150	170	190	210	230	248	268	288	308	328	358	386	416

General Information

Aluminum Horizontals

Parkland Faux Wood Blinds

Pleated Shades

Lumiere

MYS 2	22.25	34.75	47.25	59.75	72.25	84.75	97.25	109.75	122.25	134.75	153.50	172.25	191.00
36	439	545	650	759	865	964	1,083	1,192	1,304	1,413	1,574	1,736	1,901
48	449	558	668	781	890	993	1,116	1,229	1,345	1,458	1,626	1,794	1,965
60	458	572	686	802	916	1,023	1,150	1,267	1,387	1,504	1,678	1,851	2,028
72	468	586	703	824	942	1,053	1,183	1,304	1,429	1,549	1,729	1,909	2,092
84	478	599	721	846	967	1,082	1,217	1,342	1,470	1,595	1,781	1,967	2,156
96	487	613	738	867	993	1,112	1,251	1,380	1,512	1,641	1,832	2,024	2,219
102	492	620	747	878	1,006	1,127	1,267	1,398	1,533	1,664	1,858	2,053	2,251
108	543	676	810	946	1,079	1,206	1,352	1,489	1,629	1,765	1,968	2,172	2,378
VAL	56	61	66	71	77	82	87	92	97	103	110	118	126
EXEC	75	85	95	105	115	124	134	144	154	164	179	193	208
DBLE	150	170	190	210	230	248	268	288	308	328	358	386	416

Cellular Shades

Roller Blinds

Vertical Blinds

PrivacySheer™

*Valance Prices are applicable when ordered with the full treatment. If ordered separately or in a different fabric, surcharges would apply.

Mystic Sheer™

Souffle

MYS 3	22.25	34.75	47.25	59.75	72.25	84.75	97.25	109.75	122.25	134.75	153.50	172.25	191.00
36	483	600	716	836	953	1,063	1,193	1,313	1,437	1,557	1,735	1,914	2,095
48	492	613	734	858	979	1,093	1,227	1,351	1,478	1,602	1,787	1,971	2,159
60	502	627	752	880	1,004	1,122	1,260	1,389	1,520	1,648	1,838	2,029	2,223
72	512	640	769	901	1,030	1,152	1,294	1,426	1,561	1,694	1,890	2,086	2,286
84	521	654	787	923	1,055	1,182	1,328	1,464	1,603	1,739	1,942	2,144	2,350
96	531	667	804	944	1,081	1,211	1,361	1,501	1,645	1,785	1,993	2,202	2,413
102	535	674	813	955	1,094	1,226	1,378	1,520	1,665	1,808	2,019	2,231	2,445
108	587	731	876	1,023	1,168	1,305	1,463	1,611	1,762	1,909	2,129	2,349	2,572
VAL	56	61	66	71	77	82	87	92	97	103	110	118	126
EXEC	75	85	95	105	115	124	134	144	154	164	179	193	208
DBLE	150	170	190	210	230	248	268	288	308	328	358	386	416

Liberte, Bonne, Vichy

MYS 4	22.25	34.75	47.25	59.75	72.25	84.75	97.25	109.75	122.25	134.75	153.50	172.25	191.00
36	507	634	760	890	1,017	1,137	1,277	1,407	1,540	1,670	1,863	2,057	2,253
48	516	647	778	912	1,042	1,166	1,310	1,444	1,582	1,716	1,915	2,114	2,317
60	526	661	795	933	1,068	1,196	1,344	1,482	1,623	1,761	1,966	2,172	2,380
72	536	674	813	955	1,093	1,225	1,378	1,520	1,665	1,807	2,018	2,229	2,444
84	545	688	830	976	1,119	1,255	1,411	1,557	1,706	1,852	2,070	2,287	2,508
96	555	701	848	998	1,145	1,285	1,445	1,595	1,748	1,898	2,121	2,345	2,571
102	559	708	857	1,009	1,157	1,299	1,462	1,614	1,769	1,921	2,147	2,374	2,603
108	611	765	919	1,077	1,231	1,379	1,546	1,704	1,865	2,023	2,257	2,492	2,730
VAL	56	61	66	71	77	82	87	92	97	103	110	118	126
EXEC	75	85	95	105	115	124	134	144	154	164	179	193	208
DBLE	150	170	190	210	230	248	268	288	308	328	358	386	416

*Valance Prices are applicable when ordered with the full treatment. If ordered separately or in a different fabric, surcharges would apply.

Mystic Sheer™

Amour, Montpellier

MYS 5	22.25	34.75	47.25	59.75	72.25	84.75	97.25	109.75	122.25	134.75	153.50	172.25	191.00
36	547	690	833	979	1,121	1,258	1,414	1,560	1,709	1,855	2,073	2,290	2,511
48	557	704	850	1,000	1,147	1,287	1,448	1,598	1,751	1,901	2,125	2,348	2,575
60	566	717	868	1,022	1,173	1,317	1,481	1,636	1,793	1,947	2,177	2,407	2,639
72	576	731	886	1,044	1,199	1,347	1,515	1,674	1,835	1,993	2,229	2,465	2,704
84	586	745	904	1,066	1,225	1,377	1,549	1,712	1,877	2,039	2,281	2,523	2,768
96	595	758	921	1,088	1,251	1,407	1,583	1,749	1,919	2,085	2,333	2,581	2,832
102	600	765	930	1,098	1,263	1,422	1,600	1,768	1,940	2,108	2,359	2,610	2,864
108	652	823	993	1,167	1,338	1,502	1,686	1,860	2,037	2,211	2,470	2,730	2,992
VAL	56	61	66	71	77	82	87	92	97	103	110	118	126
EXEC	75	85	95	105	115	124	134	144	154	164	179	193	208
DBLE	150	170	190	210	230	248	268	288	308	328	358	386	416

General Information

Aluminum Horizontals

Parkland Faux Wood Blinds

Pleated Shades

Amiens, Anvers, Chaumont, Dieppe, Maille, Metro, Montmartre, Nimes, Orleans, Seine, Sorbonne, Souhait Tisser,

MYS 6	22.25	34.75	47.25	59.75	72.25	84.75	97.25	109.75	122.25	134.75	153.50	172.25	191.00
36	583	741	899	1,060	1,218	1,369	1,540	1,701	1,865	2,027	2,267	2,507	2,750
48	593	755	917	1,082	1,244	1,399	1,574	1,739	1,907	2,073	2,319	2,565	2,814
60	603	768	934	1,103	1,269	1,429	1,608	1,777	1,949	2,119	2,371	2,623	2,878
72	612	782	952	1,125	1,295	1,458	1,642	1,815	1,991	2,165	2,423	2,681	2,943
84	622	796	970	1,147	1,321	1,488	1,676	1,853	2,033	2,211	2,475	2,739	3,007
96	632	810	988	1,169	1,347	1,518	1,709	1,891	2,075	2,257	2,527	2,797	3,071
102	636	816	996	1,180	1,360	1,533	1,726	1,910	2,096	2,280	2,553	2,826	3,103
108	688	874	1,060	1,248	1,434	1,613	1,812	2,001	2,193	2,382	2,664	2,946	3,231
VAL	56	61	66	71	77	82	87	92	97	103	110	118	126
EXEC	75	85	95	105	115	124	134	144	154	164	179	193	208
DBLE	150	170	190	210	230	248	268	288	308	328	358	386	416

Cellular Shades

Roller Blinds

Vertical Blinds

PrivacySheer™

*Valance Prices are applicable when ordered with the full treatment. If ordered separately or in a different fabric, surcharges would apply.

Mystic Sheer™

Louvre, Moulin, Reims, Toulouse, Versailles, Violay

MYS 7	22.25	34.75	47.25	59.75	72.25	84.75	97.25	109.75	122.25	134.75	153.50	172.25	191.00
36	620	792	965	1,141	1,314	1,480	1,666	1,842	2,022	2,198	2,460	2,723	2,989
48	629	806	983	1,163	1,340	1,510	1,700	1,880	2,064	2,244	2,513	2,781	3,053
60	639	820	1,001	1,185	1,366	1,540	1,734	1,918	2,106	2,290	2,565	2,839	3,117
72	648	833	1,018	1,206	1,391	1,570	1,768	1,956	2,148	2,336	2,617	2,897	3,181
84	658	847	1,036	1,228	1,417	1,600	1,802	1,994	2,190	2,382	2,669	2,956	3,246
96	668	861	1,054	1,250	1,443	1,629	1,836	2,032	2,232	2,428	2,721	3,014	3,310
102	673	868	1,063	1,261	1,456	1,644	1,853	2,051	2,253	2,451	2,747	3,043	3,342
108	724	925	1,126	1,330	1,530	1,724	1,938	2,142	2,350	2,554	2,858	3,162	3,470
VAL	56	61	66	71	77	82	87	92	97	103	110	118	126
EXEC	75	85	95	105	115	124	134	144	154	164	179	193	208
DBLE	150	170	190	210	230	248	268	288	308	328	358	386	416

Vendome

MYS 8	22.25	34.75	47.25	59.75	72.25	84.75	97.25	109.75	122.25	134.75	153.50	172.25	191.00
36	668	861	1,053	1,250	1,442	1,629	1,835	2,031	2,230	2,426	2,719	3,012	3,307
48	677	874	1,071	1,271	1,468	1,658	1,869	2,069	2,272	2,472	2,771	3,070	3,372
60	687	888	1,089	1,293	1,494	1,688	1,902	2,107	2,314	2,518	2,823	3,128	3,436
72	697	902	1,107	1,315	1,520	1,718	1,936	2,145	2,356	2,564	2,875	3,186	3,500
84	706	915	1,124	1,337	1,546	1,748	1,970	2,183	2,398	2,610	2,927	3,244	3,564
96	716	929	1,142	1,358	1,571	1,778	2,004	2,221	2,440	2,656	2,979	3,302	3,628
102	721	936	1,151	1,369	1,584	1,793	2,021	2,239	2,461	2,679	3,005	3,331	3,660
108	773	993	1,214	1,438	1,659	1,873	2,107	2,331	2,558	2,782	3,117	3,451	3,789
VAL	56	61	66	71	77	82	87	92	97	103	110	118	126
EXEC	75	85	95	105	115	124	134	144	154	164	179	193	208
DBLE	150	170	190	210	230	248	268	288	308	328	358	386	416

*Valance Prices are applicable when ordered with the full treatment. If ordered separately or in a different fabric, surcharges would apply.



George N. Jackson Limited Company History

George N. Jackson Limited began operations in 1919 in Winnipeg. Initially operating as an agency; our company quickly moved into the wholesaling business. We were originally called "George N. Jackson and Son", but the name was changed following the death of George Nelson Jackson.

Some of the first products carried included tacks, twines and other upholstery supplies. Our selection expanded to include upholstery fabrics in the early 1920's and we are still a leader in this field. In 1945, just after the end of the war, we began to service the window covering industry by adding a complete line of drapery fabrics and drapery hardware. In 1970, we expanded again and set up a production facility initially to sew draperies and produce samples. Shortly thereafter, we began manufacturing a full assortment of custom window coverings, many of which are shown in this book. We also produce our own line of custom made drapery treatments and bedcoverings. The result is that Jackson has become one of the largest window covering manufacturers and distributors in Canada. We supply the widest variety of products available. In addition to our furniture upholstery and supply lines, Jackson also carries a full line of automotive and marine trimming supplies to service the automotive and marine upholstery industry.

Today, George N. Jackson Limited continues its path of growth and prosperity with the fourth generation Jackson family members heavily involved in the operations. The security of a long term company based on honesty and sincerity has built a large, loyal dealer network. George N. Jackson Limited continues to be **100% Canadian owned** with all of the majority share holders involved in the affairs of the company. It is our pleasure to serve you.

General Information on Custom Products

Terms and Conditions

All taxes are extra(GST, PST, HST). Orders are F.O.B. nearest Jackson warehouse. Prices are subject to change without notice. Drop shipments are not normally allowed.

Shipping

Goods shall be shipped via Jackson's choice of carrier unless specified otherwise at the time of order. Shipments are on a pre-paid and charge basis.

Returns

These window coverings are custom made, returns cannot be accepted.

Cancellations

Neither changes nor cancellations are allowed on custom products once the order has been started. Dealers are encouraged to double check all information sent in.

Orders

All orders should be submitted in writing on the proper order form, and delivered by email, in person, regular mail or by fax. Jackson order forms are available at your local Jackson office, or can be downloaded from www.jackson.ca

Pricing

All prices shown in this book are suggested retail. Dealers are free to determine their own selling prices without restriction. Prices subject to change without notice.

Young children can STRANGLE in cord and bead chain loops. They can also wrap cords around their necks and STRANGLE.

- Always keep cords and bead chains out of children's reach.
- Move cribs, playpens, and other furniture away from cords and bead chains. Children can climb furniture to get to cords.
- Do not tie cords together. Make sure cords do not twist together and create a loop.
- Attach tension device to wall or floor. This can prevent children from pulling cords and bead chains around their necks.

For more safety information: 1-866-662-0666

For more information on the safe use of corded window covering products, visit the health Canada website at www.healthcanada.gc.ca/blindcords

George N. Jackson Limited produces window covering products for sale and use in **Canada**. Bilingual safety labels (English and French) are attached to the products that we produce. Exporters should check on product and labelling requirements for countries that they export to.



JACKSON

VANCOUVER

600 Derwent Way
(Annacis Island)
Delta, BC
V3M 5P8

Tel: 604-522-3600
800-663-1369
Fax: 604-522-4471
800-663-3736

Email vancouver@jackson.ca

CALGARY

2120-39th Ave. NE
Calgary, AB
T2E 6P7

Tel: 403-291-2004
800-242-3104
Fax: 403-291-1595
800-242-3181

Email calgary@jackson.ca

WINNIPEG

1139 McDermot Ave.
Winnipeg, MB
R3E 0V2

Tel: 204-786-3821
800-665-8978
Fax: 204-788-2456
800-665-1423

Email winnipeg@jackson.ca

MISSISSAUGA

3236 Wharton Way
Mississauga, ON
L4X 2C1

Tel: 905-238-3369
800-565-4671
Fax 905-238-4859
800-898-4137

Email toronto@jackson.ca

 @GeorgeNJackson

www.jackson.ca

